

● **Features**

ODCL/ODCS: .Standard coin-type

- Small size, large capacity
- Wider temperature range (+25 to 70 °C) than battery makes periodic change unnecessary

ODCST/ODCLT: High temperature tolerance(- 25 to 85 °C) and highly reliable

● **Application**

ODCS/ODCST: Memory back-up for Video, Audio, Cameras, CCTV, Printer, Camcorder, Telephones, Car stereo, e-meter, Toy, Computer, Notebook PC, Rice cooker, Home network etc.

ODCL/ODCLT: Memory back-up for Video, Audio, Cameras, Camcorder, Telephones, Printer Car stereo, Computer, Notebook PC, Rice cooker, PLC, Set top box, Washing machine, DVD-RW, Home network etc.

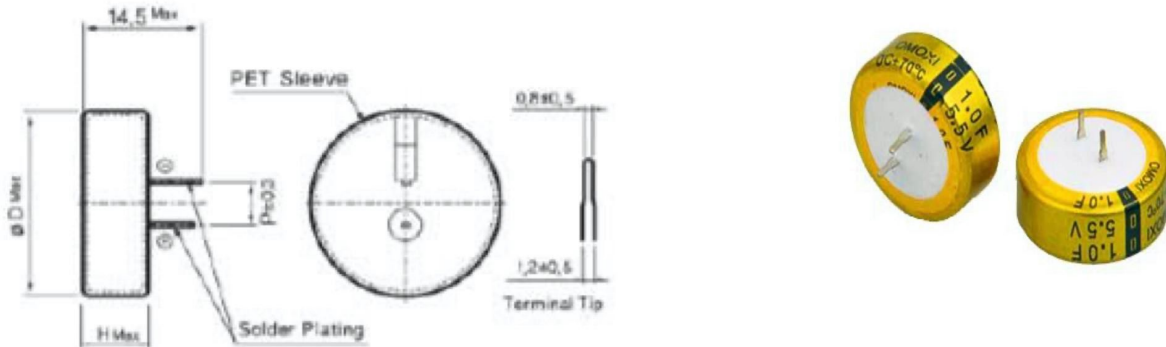
Main power for Bicycle tail light, flash light etc.

● **Specifications**

Items	Characteristics
Rated working voltage	3.6VDC/5.5 VDC
Operating temperature	-25 to +80 °C/-25 to +70 °C
Maximum surge voltage	5.5VDC/6.3 VDC
Nominal Cap. Range	1.0F to 1.5F/1.0F 0.047 to 0.47F/0.22 to 0.33F
Capacitance tolerance	-20% to +80%(at 25 °C)
Low temperature(-25°C) characteristics	Capacitance change: ≤50% of the initial value at 25°C Internal resistance: less than 5 times of the initial value at 25°C
Endurance	Capacitance change: ±30% of initial measured value Internal resistance: less than 4 times of the initial value (After 1,000 hours applications of rated DC working voltage at +60/+70 °C ,the capacitor shall meet the following limits)
Shelf life	After 1,000 hours storage at +70 °C without load, the capacitor shall meet the specified limit for "Endurance"

● Shape of Standard Product

C-TYPE



● Standard Products and Dimensions (not to scale)

Part number	Operating voltage	Capacitance(F)	ESR(@1kHz)	Ø DxL(mm)	F(mm)
ODCL 5R5 105	5.5V	1. 0	≤30	Φ21.5×7.5	5.0
ODCL 5R5 155		1. 5	≤30	Φ21.5×7.5	5.0
ODCLT 5R5 105		1. 0	≤30	Φ21.5×9.5	5.0
ODCS 5R5 473	5.5V	0.047	≤120	Φ13.5×7.5	5.0
ODCS 5R5 104		0.10	≤75	Φ13.5×7.5	5.0
ODCS 5R5 224		0.22	≤75	Φ13.5×7.5	5.0
ODCS 5R5 334		0.33	≤50	Φ13.5×7.5	5.0
ODCS 5R5 474		0.47	≤50	Φ13.5×7.5	5.0
ODCST 3R6 224	3.6V	0.22	≤75	Φ13.5×7.5	5.0
ODCST 3R6 334		0.33	≤50	Φ13.5×7.5	5.0
ODCL 3R6 105		1.0	≤30	Φ21.5×7.5	5.0

Note:

- 1.It is not allowed to go through reflow (IR, Atmosphere hating methods etc.)process;
- 2.Don't allow long time more than the rated voltage charging or work, or will be greatly reduced sharply the service life of the product!