

AC 220V 2-Ch Remote Control Switch KL-K211X

User Manual & Tech data

Operation Method:

1. Match code:

Hold learning button and learning indicator light blinks, then press any buttons of remote control, if indicator lights flashes 3 times, match code successfully.

Maximum 20 remote controls can be matched.

2. Delete code:

Hold learning button till the indicator LED lights and then off, delete successfully.

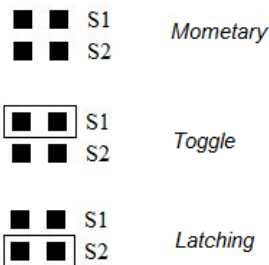
3. Set working mode:

S1 & S2 program the sequence as follows:

Jumper on S1 → Toggle

Jumper on S2 → Latching

No Jumper on S1 & S2 → Momentary



Tech Data:

AC 220V 2-Ch Remote Control Switch KL-K211X

Input	AC 220V (AC110V is customized)
Channels	2
Quiescent Current	12mA
Working Frequency	433MHz / 315MHz, Optional
Receiving Sensitivity	-103dBm
Decoding Type	Learning Code(EV1527) / Fixed Code(PT2262)
Working Mode	Momentary / Toggle / Latching
Output	Switching Signal (Dry Contact) / Active Switching Signal (Wet Contact)
Max Load	15A (Relay Contact)
Dimension	100*65*50mm

Short introduction to relay receiver working modes

The following introduction will describe how momentary, latching and toggle working using example of typical two channel receiver. The transmitter button A controls channel 1 while transmitter button B controls channel 2.

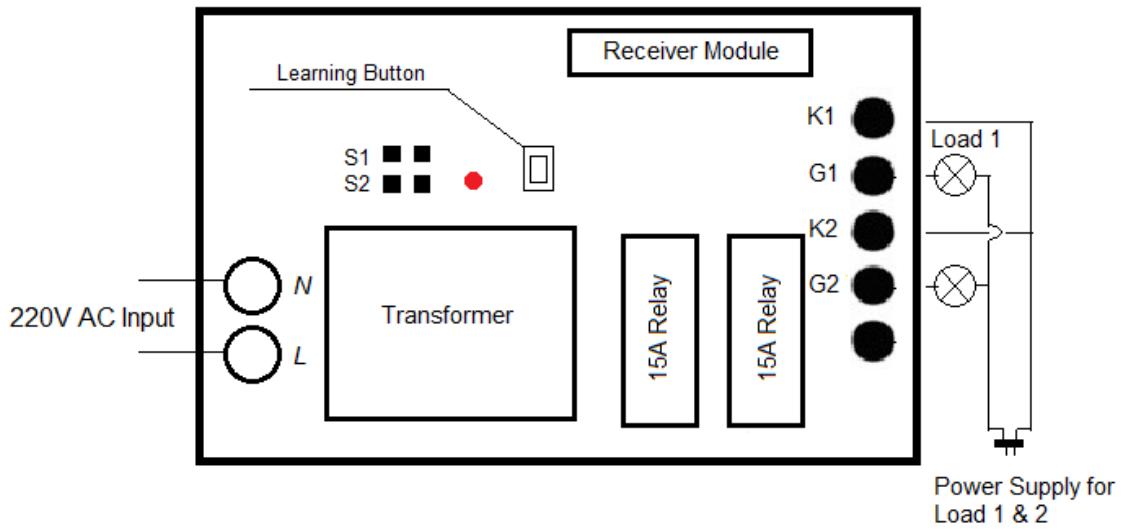
1. Toggle - Press A > Channel 1 ON and remains ON, Press A again > Channel 1 OFF
2. Momentary - Press and hold A > Channel 1 ON, Release A > Channel 1 OFF
3. Latching - Press A > Channel 1 ON and remains ON while Channel 2 OFF, Press B > Channel 2 ON and remains ON while Channel 1 OFF

Wiring Way & Diagram:

B=Normally Closed, G=Common, K=Normally Open

Please refer to below diagram as wiring for 2 different output modes:

Picture 1
Dry Contact Output



N=Neutral Line, L=Live Line, K=Normally Open, G=Common

Picture 2
Wet Contact Output

