

SK78MXX 3-Terminals 0.5A Positive Regulator

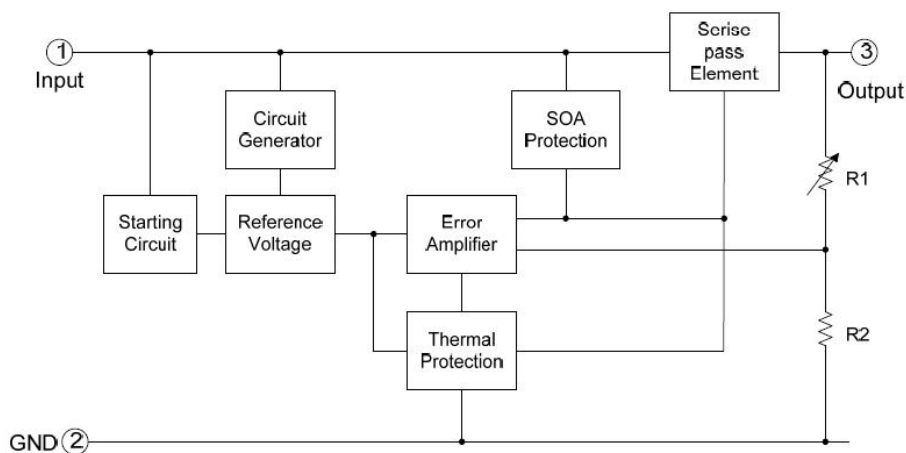
General Description

SK78MXX is three-terminal positive regulators. One of these regulators can deliver up to 500mA of output current. The internal limiting and thermal - shutdown features of the regulator make them essentially immune to overload. When used as a replacement for a Zener diode- resist or Combination, an effective improvement in output impedance can be obtained, together with lower quiescent current.

Features

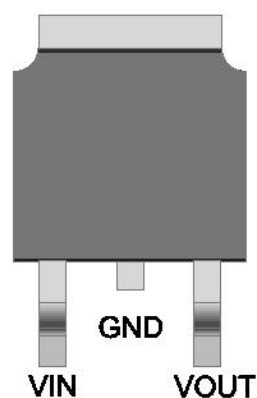
- Output Current of 500mA
- Thermal Overload Protection
- Short Circuit Protection
- Output transistor safe area protection
- No external components
- Package: TO252 and SOT223
- Output voltage accuracy: tolerance $\pm 5\%$

Block Diagram

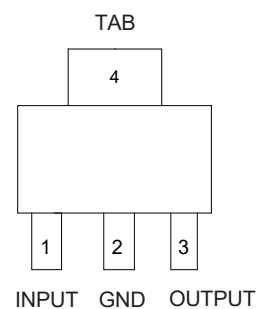


Pin Configuration

TO252 (Top View)



SOT223 (Top View)



Selection Table

Part No.	Output Voltage	Package	Tape/Reel
SK78MXX	5.0,6.0,8.0,9.0,12.0V	TO252	2500
SK78MXXLR	5.0,6.0,8.0,9.0,12.0,15.0,24.0V	SOT223	2500

Absolute Maximum Ratings (Ta=25℃)

Parameter	Rating	Unit
Input supply voltage: VIN	35	V
MAX. Output current:Iout	500	mA
MAX Power:Pmax	1.5	W
Maximum junction temperature:Tj	-40~125	℃
Storage temperature:Tstr	-55~125	℃
Soldering temperature and time	+260(Recommended 10S)	℃

Note: The absolute maximum ratings are rated values exceeding which the product could suffer physical damage. These values must therefore not be exceeded under any conditions.

Electrical Characteristics

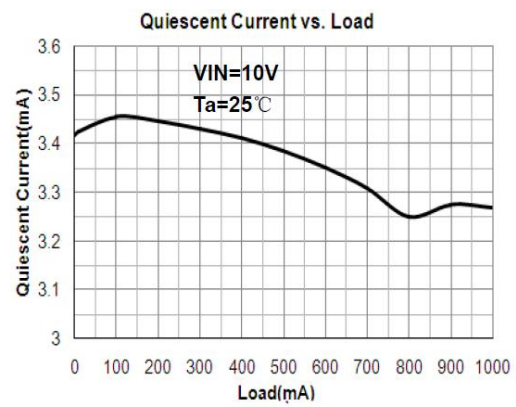
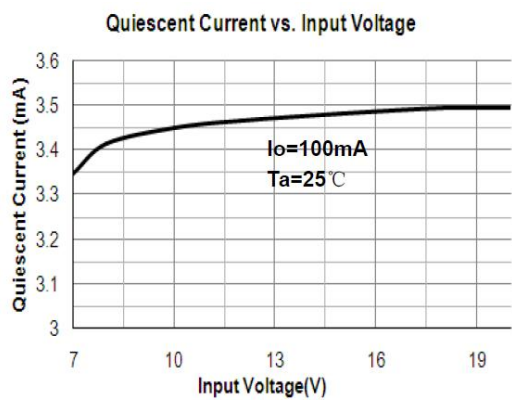
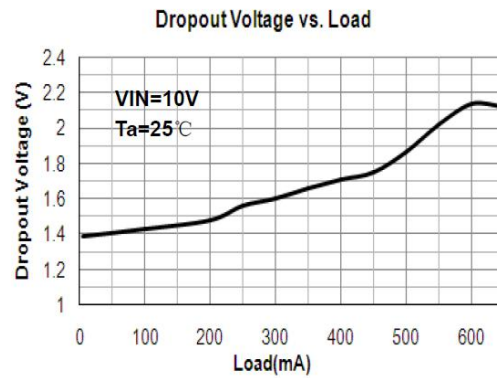
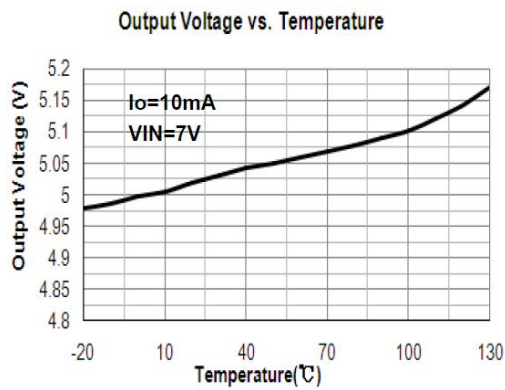
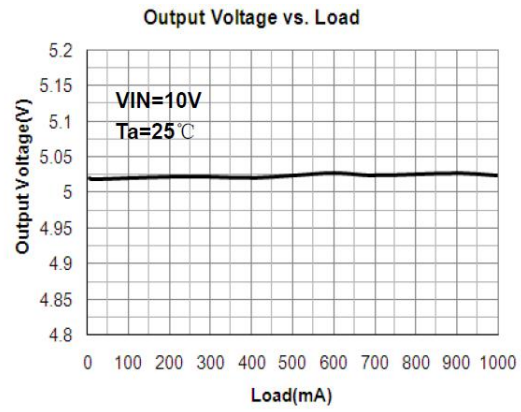
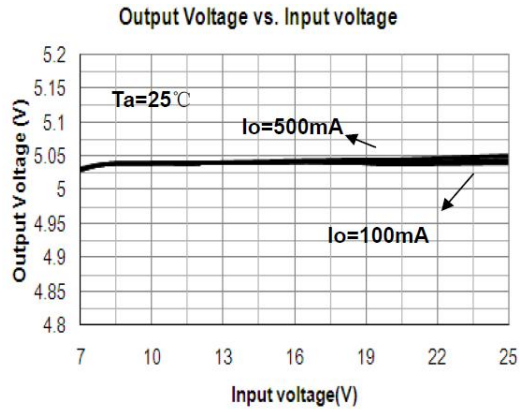
(C_{in}=0.33uF, C_o=0.1uF, 0≤T_j≤125°C, unless otherwise noted)

Parameter	Symbol	Conditions	Min.	Typ.	Max.	Unit
Output Voltage	V _{out}	I _o =40mA, V _{IN} =10V	0.964v _{out}	v _{out}	1.036v _{out}	V
		I _o =1mA~40mA V _{IN} =7V~18V	0.96v _{out}	v _{out}	1.04v _{out}	
		I _o =1mA~10mA V _{IN} =10V	0.95v _{out}	v _{out}	1.05v _{out}	
Line Regulation	LNR	V _{IN} =7V~18V, I _o =40mA	-150	-	150	mV
		V _{IN} =8V~18V, I _o =40mA	-100	-	100	
Load Regulation	LDR	V _{IN} =10V, I _o =1mA~100mA	-60	-	60	mV
		V _{IN} =10V, I _o =1mA~40mA	-30	-	30	
Dropout Voltage	V _{DIF}	T _j =25°C, I _o =100mA	-	2	-	V
Output noise Voltage	V _N	F=10Hz to 100KHz	-	40	-	uV/V _o
Ripple Rejection	PSRR	T _j =25°C, f=120Hz, I _o =40mA, V _{IN} =8V~20V	-	80	-	dB
Quiescent Current	I _q	V _{IN} =10V, I _O UT=40mA	-	-	5.5	mA
Quiescent Current Change	ΔI _q	V _{IN} =8V~18V, I _o =40mA	-1.5	-	1.5	mA
		V _{IN} =10V, I _O UT=1mA~40mA,	-0.1	-	0.1	

LNR: Line Regulation. The change in output voltage for a change in the input voltage. The measurement is made under conditions of low dissipation or by using pulse techniques such that the average chip temperature is not significantly affected.

LDR: Load Regulation. The change in output voltage for a change in load current at constant chip temperature.

Typical Performance Characteristics



Operation Description

SK78MXX is designed with Thermal Overload Protection that shuts down the circuit when subjected to an excessive power overload condition, Internal Short Circuit Protection that limits the maximum current the circuit will pass, and Output Transistor Safe-Area Compensation that reduces the output short circuit current as the voltage across the pass transistor is increased.

In many low current applications, compensation capacitors are not required. However, it is recommended that the regulator input be bypassed with a capacitor if the regulator is connected to the power supply filter with long wire lengths, or if the output load capacitance is large. An input bypass capacitor should be selected to provide good high frequency characteristics to insure stable operation under all load conditions. A $0.33\mu\text{F}$ tantalum, mylar, or other capacitor having low internal impedance at high frequencies should be chosen. The bypass capacitor should be mounted with the shortest possible leads directly across the regulator's input terminals. Normally good construction techniques should be used to minimize ground loops and lead resistance drops since the regulator has no external sense lead.

Typical Application

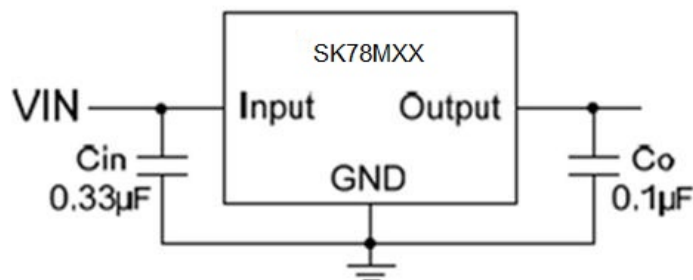


Fig.1 Fixed Output Regulator

A common ground is required between the input and the output voltages. The input voltage must remain typically 2.0 V above the output voltage even during the low point on the input ripple voltage.

- C_{in} is required if regulator is located an appreciable distance from power supply filter.
- C_o is not needed for stability; however, it does improve transient response.

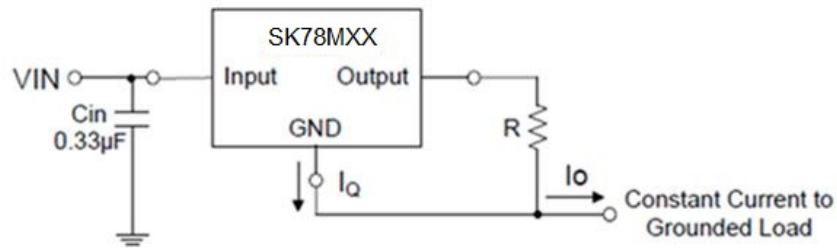


Fig.2 Constant Current Regulator

The SK78MXX regulator can also be used as a current source when connected as Fig.2. In order to minimize dissipation the SK78MXX is chosen in this application. Resistor R determines the current as follows:

$$I_o = \frac{5V}{R} + I_q$$

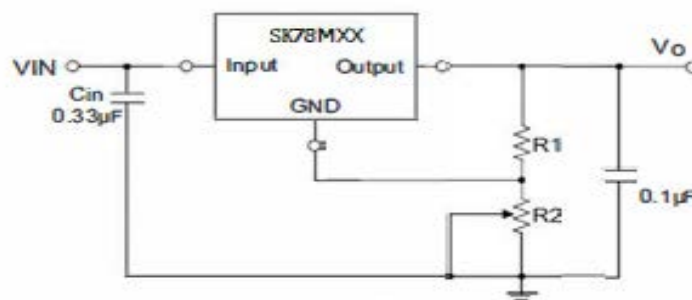


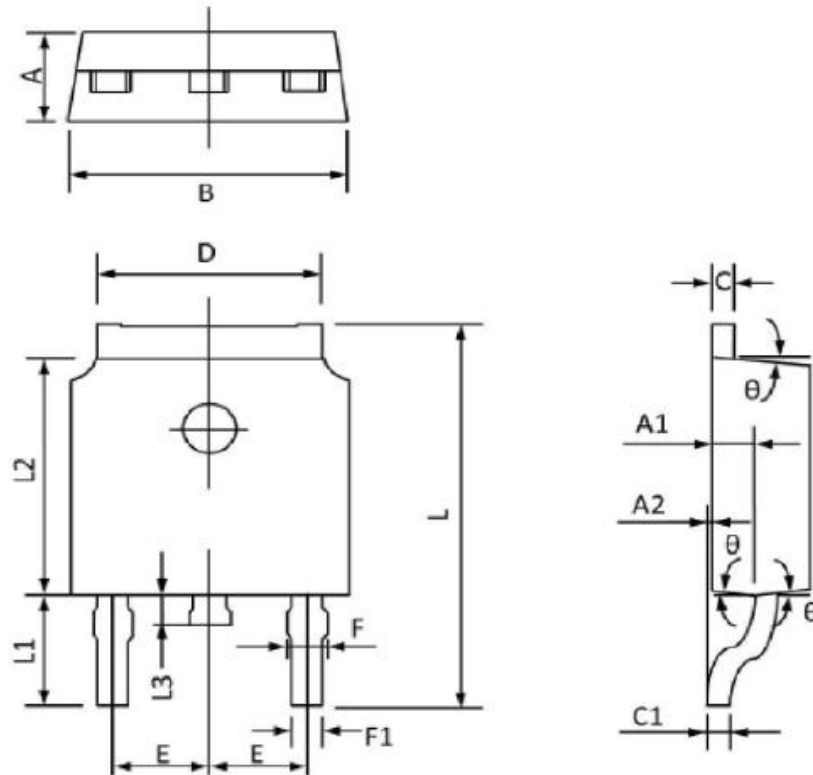
Fig.3 Adjustable Output Regulator

$$V_o = 5V + (5V/R_1 + I_o) * R_2$$

$$5V/R_1 > 3 * I_o$$

Package Information

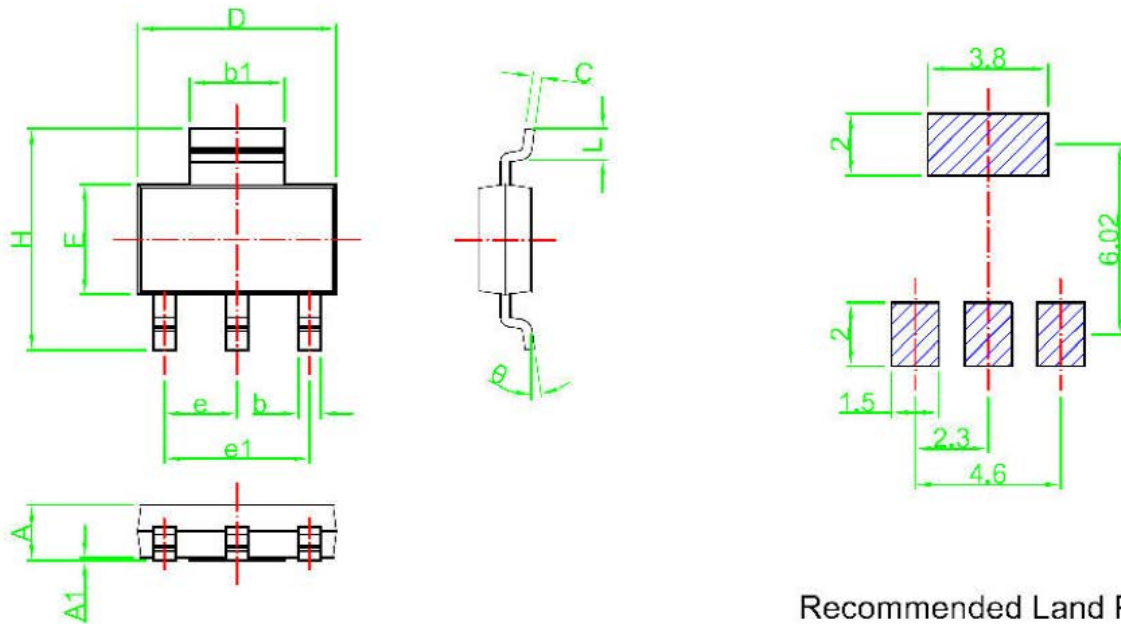
3-pin TO252 Outline Dimensions



Symbol	Dimensions In Millimeters		Dimensions In Inches	
	Min	Max	Min	Max
A	2.20	2.40	0.087	0.094
A1	0.91	1.11	0.036	0.044
A2	0.00	0.15	0.000	0.006
B	6.50	6.70	0.256	0.264
C	0.46	0.580	0.018	0.230
C1	0.46	0.580	0.018	0.030
D	5.10	5.46	0.201	0.215
E	2.186	2.386	0.086	0.094
F	0.74	0.94	0.029	0.037
F1	0.660	0.860	0.026	0.034
L	9.80	10.40	0.386	0.409
L1	2.9REF		0.114REF	
L2	6.00	6.20	0.236	0.244
L3	0.60	1.00	0.024	0.039
θ	3°	9°	3°	9°

Package Information

SOT223 Outline Dimensions



Recommended Land Pattern

Symbol	Dimensions in Millimeters		Dimensions in Inches	
	Min	Max	Min	Max
A	1.50	1.70	0.059	0.067
A1	—	0.10	—	0.004
b	0.60	0.82	0.024	0.032
b1	2.90	3.10	0.114	0.122
C	0.24	0.35	0.009	0.014
D	6.15	6.65	0.242	0.262
E	3.30	3.70	0.130	0.146
e	2.30 TYP		0.091 TYP	
e1	4.50	4.70	0.177	0.185
H	6.70	7.30	0.264	0.287
L	0.80	1.15	0.031	0.045
θ	0°	10°	0°	10°