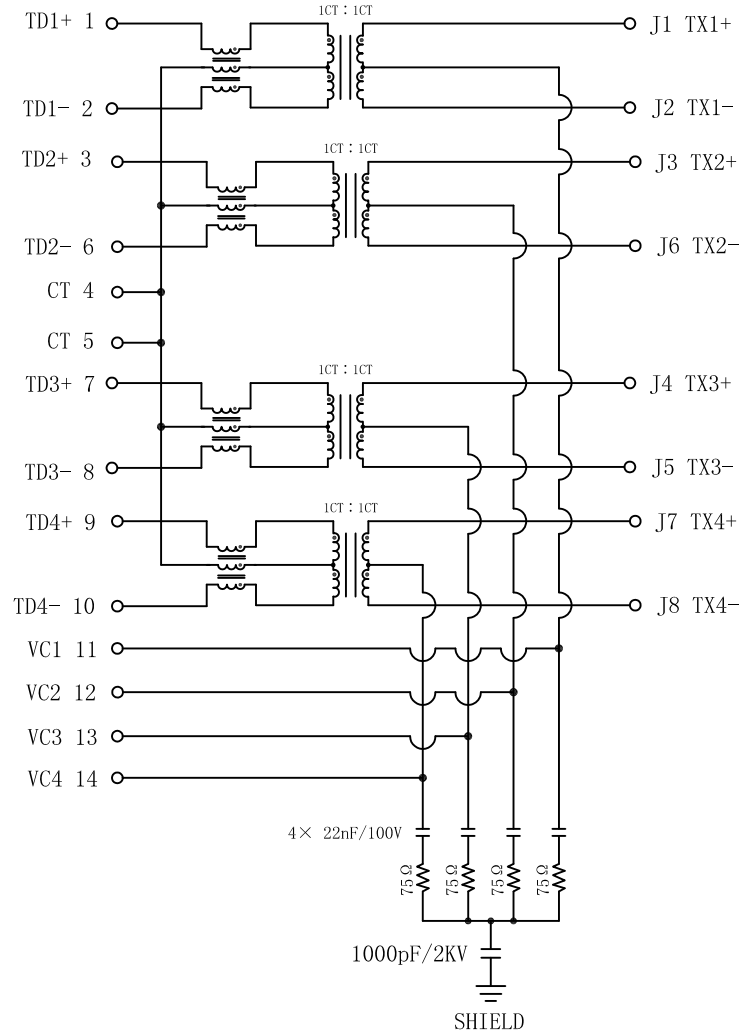


# Schematic:

REV.	ECN NO.	DESCRIPTION	DATE	APPD
A	REL	① = 4.00mm	2015-06-11	
B	REL	① = 2.85mm	2021-07-29	

PC BOARD CONNECTIONS

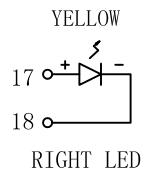
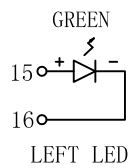


RJ45 CONNECTOR

## ELECTRICAL SPECIFICATIONS @25°C

- Turn Ratio(±5%):  
Pri : Sec = 1CT : 1CT
- Inductance OCL:  
350uH MIN @100KHz/0.1V, 8mA DC Bias  
120uH MIN @100KHz/0.1V, 18mA DC Bias
- Insertion Loss:  
-1.0dB MAX @ 1~100MHz  
-1.2dB MAX @ 100~125MHz
- Return Loss:  
-16dB MIN @ 1~40MHz  
-12dB MIN @ 40~60MHz  
-10dB MIN @ 60~80MHz  
-8dB MIN @ 80~100MHz
- Cross talk:  
-30dB MIN @ 1~100MHz
- Common to Common Mode Rejection:  
-30dB MIN @ 1~100MHz
- DC Current/Voltage Rating pse Pins:  
720mA MAX@57VDC(Continuous)
- Hipot Test: 1500Vrms MIN
- Operating Temperature: -40°C~+85°C.

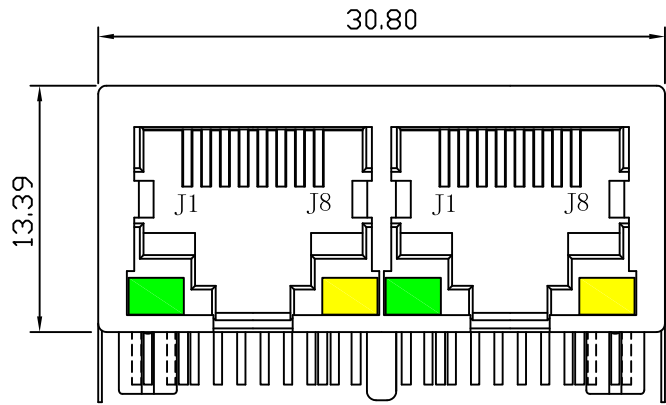
Emitting Color	λp(nm)	VF@IF=20mA	IR @VR=5V
GREEN	565	1.8~2.6V	10 μA max
YELLOW	585	1.8~2.6V	10 μA max



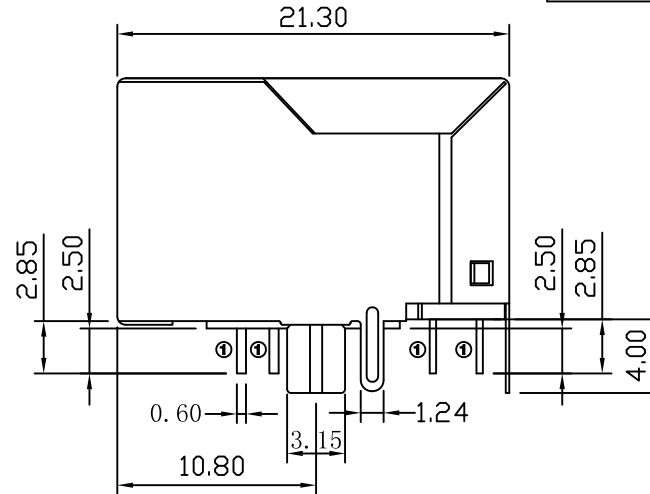
X:X ±0.30	APPD:	LINK-PP INT'L TECHNOLOGY CO., LIMITED
X:XX ±0.25	CHKD:	
X:XXX ±0.05	DR: TOM	TITLE: 1*2 RJ45 Connector with 1000 Base-T Integrated Magnetics For PoE+ Application
ANGLES ±1°	UNIT: mm	PART NO.: LPJG26925BENL
	SCALE: 2/1	SHEET: 1/2
	REV: B	DWG NO.: LP21072905

Mechanical:

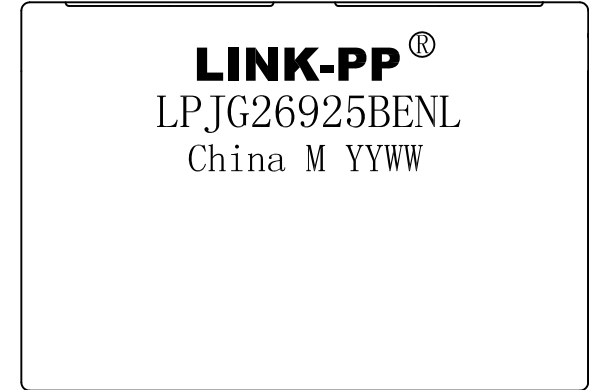
REV.	ECN NO.	DESCRIPTION	DATE	APPD
A	REL	① = 4.00mm	2015-06-11	
B	REL	① = 2.85mm	2021-07-29	



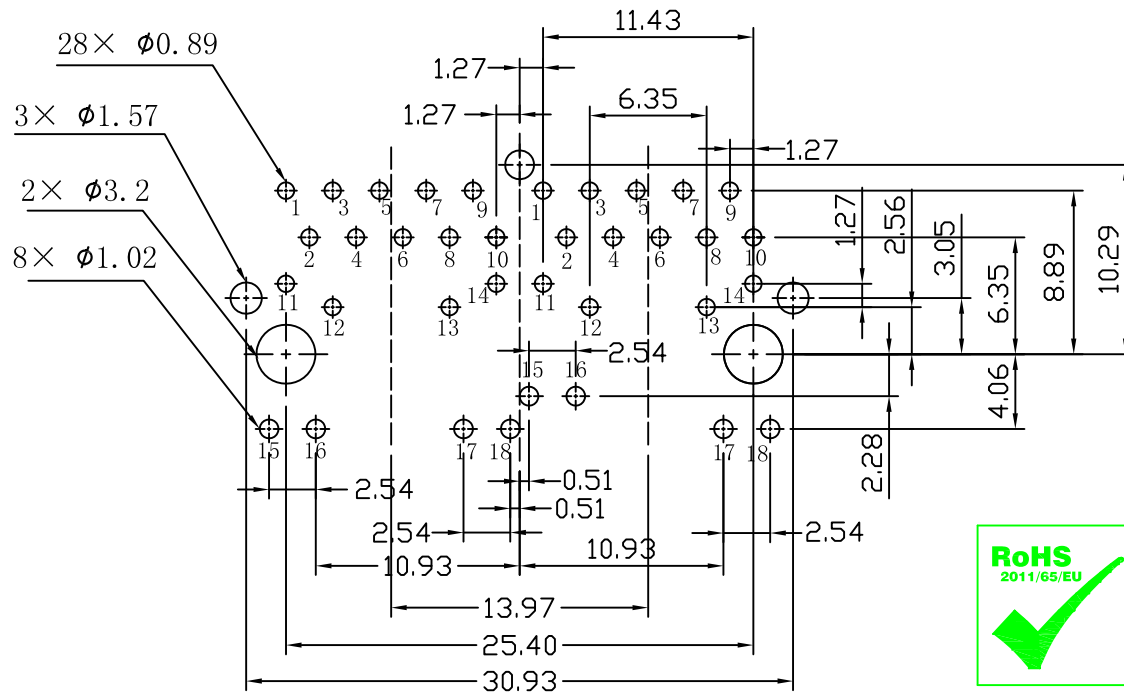
Front Side View



Left Side View



Top Side View



SUGGESTED PCB LAYOUT(TOP VIEW)



NOTES:

1. Designed to support application, such as SOHO (ADSL modems), LAN-on-Motherboard (LOM), hub and Switches.
2. Meets IEEE 802.3at specification
3. Connector Materials:  
 Housing: Thermoplastic PBT+30%G.F UL94V-0  
 Contact: Phosphor Bronze C5210R-EH Thickness=0.35mm  
 Pins: Brass C2680R-H Thickness=0.35mm  
 Shield: SUS 201-1/2H Thickness=0.2mm  
 Contact plating: Gold 6 micro-inches min. In contact area.
4. Wave solder tip temperature: 250°C, 5 Sec.
5. UL Certification: File Number E484635.

X:X ±0.30	APPD:	LINK-PP INT'L TECHNOLOGY CO., LIMITED
X:XX ±0.25	CHKD:	
X:XXX ±0.05	DR: TOM	TITLE: 1*2 RJ45 Connector with 1000 Base-T Integrated Magnetics For PoE+ Application
ANGLES ±1°	UNIT: mm	PART NO.: LPJG26925BENL
	SCALE: 2/1	SHEET: 2/2
	REV: B	DWG NO.: LP21072905