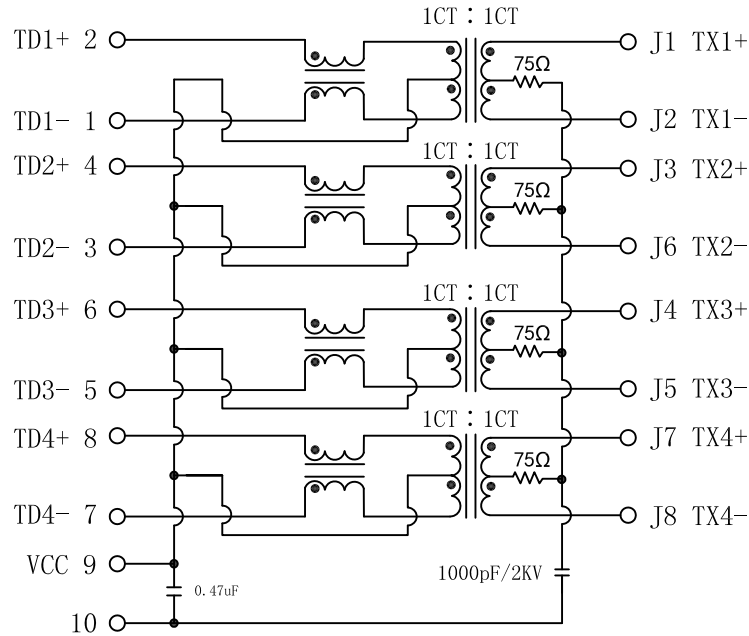


Schematic:

REV.	ECN NO.	DESCRIPTION	DATE	APPD
A	REL		2014-07-28	

PC BOARD CONNECTIONS

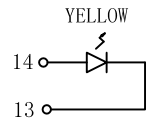


RJ45 CONNECTOR

ELECTRICAL SPECIFICATIONS @25°C

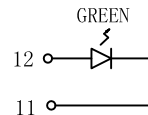
- Turn Ratio(±3%) :
Pri : Sec = 1CT : 1CT
- Inductance OCL:
180uH Min @100KHz, 0. 1V, 8mADC
- Insertion Loss(dB Max) :
1~50MHz:-0.5 50~125MHz:-1.0
125~200MHz:-2.0
- Return Loss(dB Min) :
1~40MHz:-20
40~200MHz:-15
- Cross talk(dB Min) :
1~125MHz:-35
- Common Mode Rejection(dB Min) :
1~200MHz:-25
- Hipot Test: 2250VDC 1mA 1S
- Operating Temperature: 0°C~70°C.

Emitting Color	λp(nm)	VF@IF=20mA	IR @VR=5V
GREEN	565	1.8~2.6V	10 μA max
YELLOW	585	1.8~2.6V	10 μA max



LEFT LED

LED POLARITY		COLOR
PIN 14	PIN 13	
+	-	YELLOW



RIGHT LED

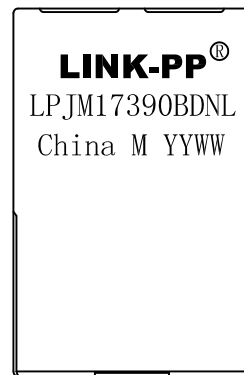
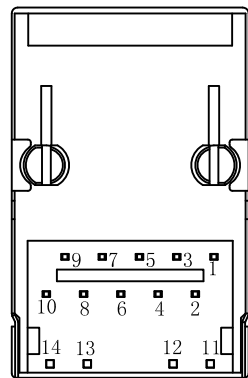
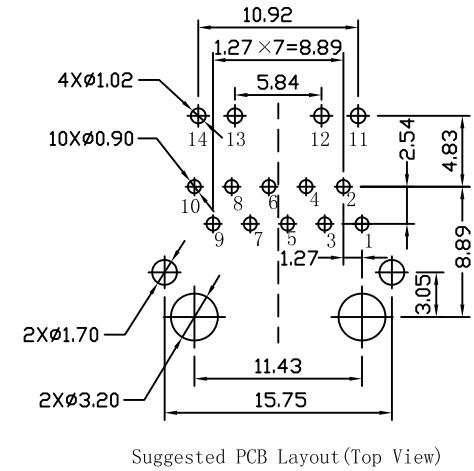
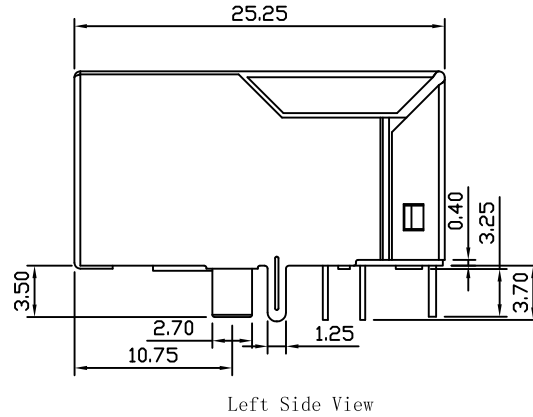
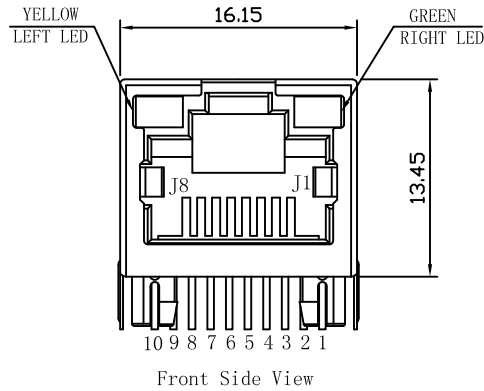
LED POLARITY		COLOR
PIN 12	PIN 11	
+	-	GREEN



X:X ±0.30	APPD:	LINK-PP INT'L TECHNOLOGY CO., LIMITED
X:XX ±0.25	CHKD:	
X:XXX ±0.05	DR: TOM	TITLE: RJ45 Connector with 2.5G Base-T Integrated Magnetics
ANGLES ±1°	UNIT: mm	PART NO.: LPJM17390BGNL
	SCALE: 2/1	SHEET: 1/2
	REV: A	DWG NO.: LP21022501

Mechanical:

REV.	ECN NO.	DESCRIPTION	DATE	APPD
A	REL		2014-07-28	



NOTES:

1. Designed to support application, such as SOHO (ADSL modems), LAN-on-Motherboard (LOM), hub and Switches.
2. Meets IEEE802.3 specification
3. Connector Materials:
Housing: Thermoplastic PBT+30%G.F UL94V-0
Contact: Phosphor Bronze C5210R-EH Thickness=0.35mm
Pins: Brass C2680R-H Thickness=0.35mm
Shield: SUS 201-1/2H Thickness=0.2mm
Contact plating: Gold 6 micro-inches min. In contact area.
4. Wave solder tip temperature: 265°C Max, 5 Sec.
5. UL Certification: File Number E484635.

X:X ±0.30	APPD:	LINK-PP INT'L TECHNOLOGY CO., LIMITED
X:XX ±0.25	CHKD:	
X:XXX ±0.05	DR: TOM	TITLE: RJ45 Connector with 2.5G Base-T Integrated Magnetics
ANGLES ±1°	UNIT: mm	PART NO.: LPJM17390BGNL
	SCALE: 2/1	SHEET: 2/2
	REV: A	DWG NO.: LP21022501