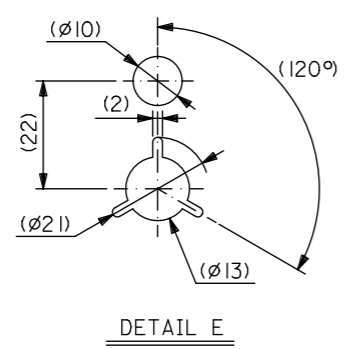
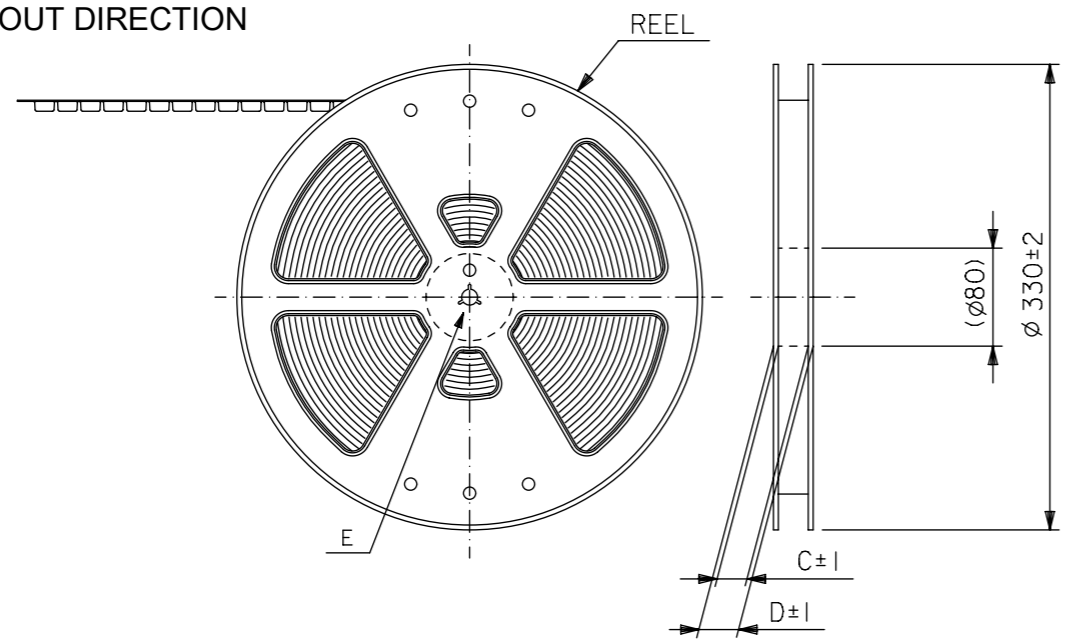


引き出し方向
PULL OUT DIRECTION

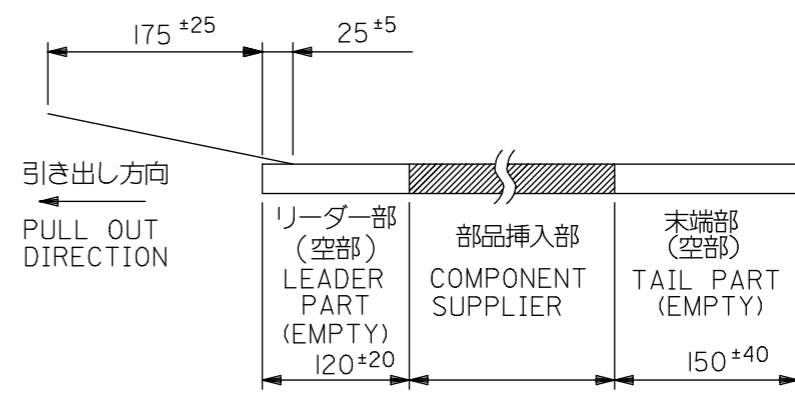


注記 NOTES

1. 梱包数量 : 1000個/リール NUMBER OF CONNECTORS : 1000PCS/REEL

2. リードテープ長さ LEAD TAPE LENGTH

トップテープリーダー部 TOP TAPE LEADER PART
トップテープ未接着部 TOP TAPE NON-BONDED PART



3. トップテープの剥離強度についてはIEC60286-3に準拠。
TOP TAPE PEEL FORCE IS DEFINED BY IEC60286-3.

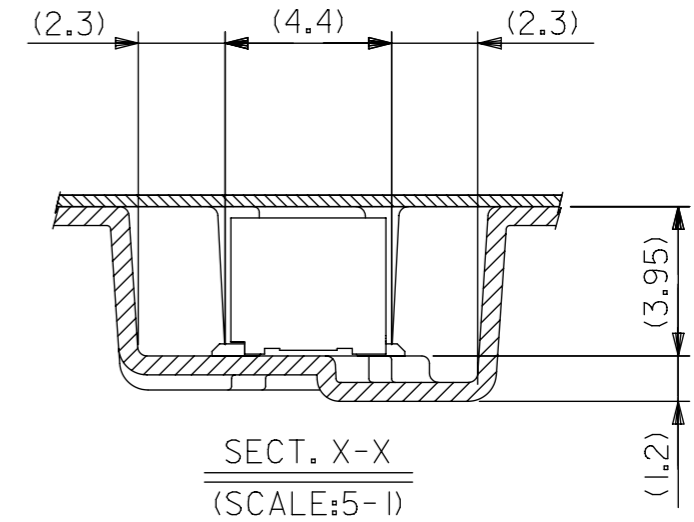
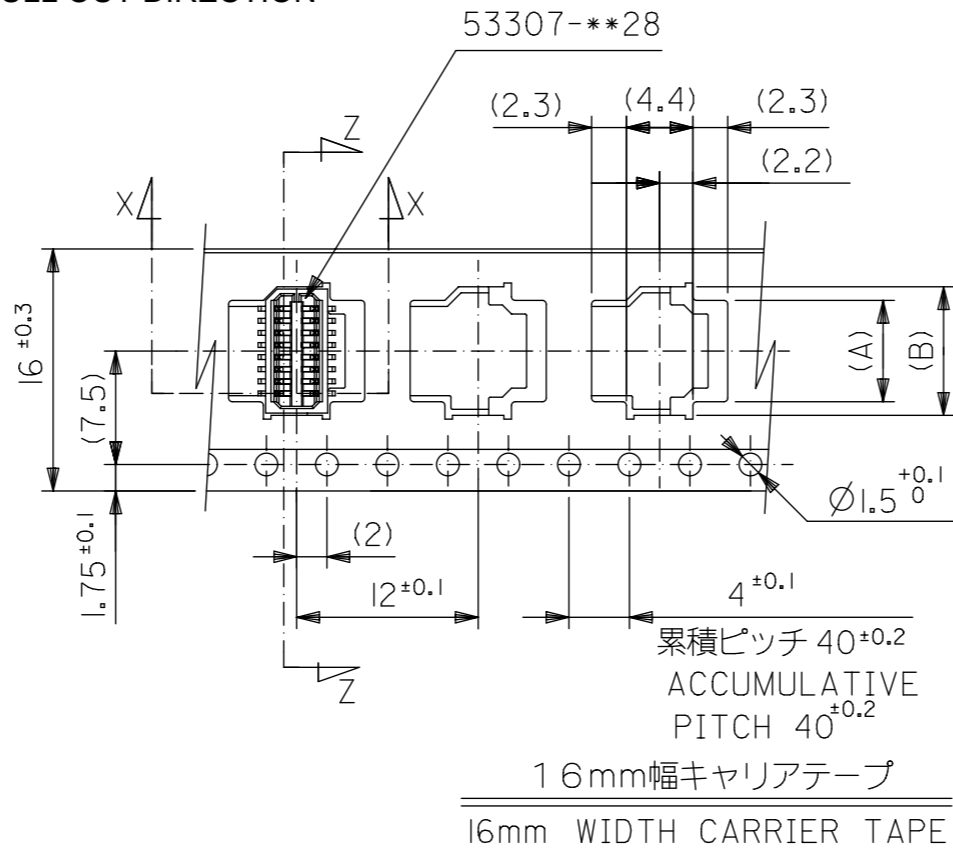
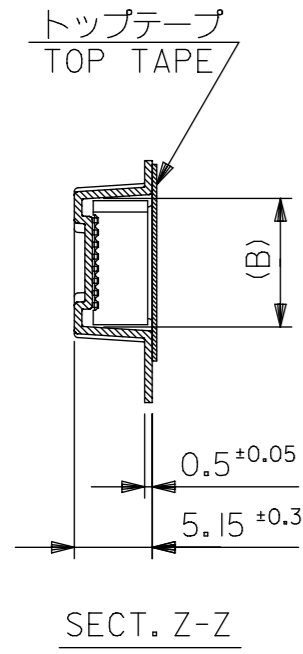
4. 材料 キャリアテープ : ポリプロピレン (PP)
トップテープ : PET, PE, PEF
リール : ポリスチレン (PS) <リサイクル材を含む>

MATERIAL
CARRIER TAPE : POLYPROPYLENE
TOP TAPE : PET, PE, PEF
REEL : POLYSTYRENE (PS) < CONTAINED RECYCLE MATERIAL >

5. 本製品は53307-**91の鉛フリー品である。
THIS PRODUCT IS LEAD FREE OF 53307-**91.

THIS DRAWING CONTAINS INFORMATION THAT IS PROPRIETARY TO MOLEX ELECTRONIC TECHNOLOGIES, LLC AND SHOULD NOT BE USED WITHOUT WRITTEN PERMISSION		CURRENT REV DESC:		molex	
DIMENSION UNITS	SCALE				
mm	NTS			0.8 MM PITCH B-TO-B CONN. PLUG (WITHOUT BOSS) EMBOSS TAPE PACKAGE	
GENERAL TOLERANCES (UNLESS SPECIFIED)		EC NO: 653700		PRODUCT CUSTOMER DRAWING	
ANGULAR TOL ± 30°		DRWN: AHMADI2 2021/02/03		DOCUMENT NUMBER	
4 PLACES ± 0.2		CHK'D: HSHIMUYAMA 2021/02/26		SD-53307-014	
3 PLACES ± 0.25		APPR: SHOSHIKAWA 2021/02/26		DOC TYPE	
2 PLACES ± 0.3		INITIAL REVISION:		PSD	
1 PLACE ±		DRWN: HSHIMABUKURO 2004/03/03		DOC PART	
0 PLACES ±		APPR: MSASAO 2004/03/05		001	
DRAFT WHERE APPLICABLE MUST REMAIN WITHIN DIMENSIONS		THIRD ANGLE PROJECTION		REVISION	
		DRAWING		B	
		SERIES		SHEET NUMBER	
		A3-SIZE		1 OF 3	
		53307		GENERAL MARKET	

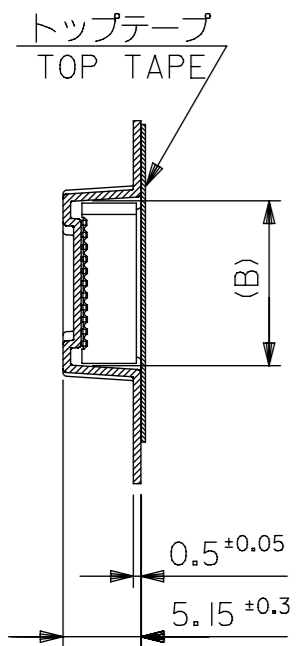
引き出し方向
PULL OUT DIRECTION



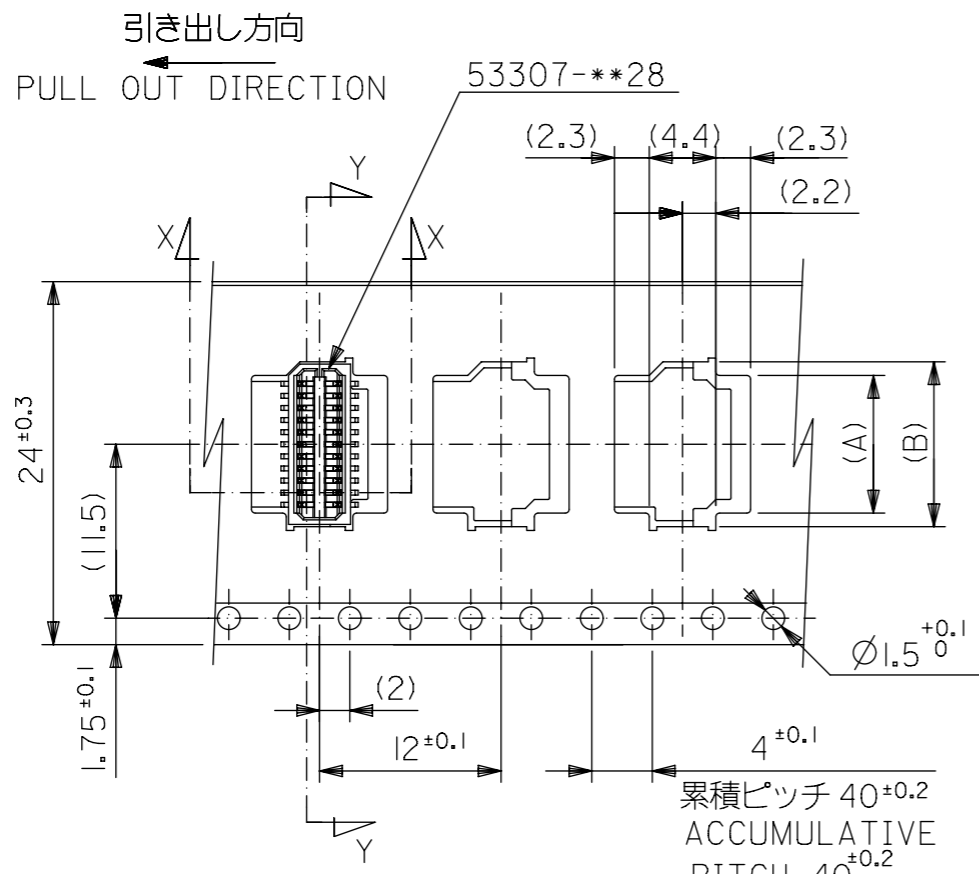
16	21.4	17.4	9.3	7.5	53307-1871	18	
			8.5	6.7	53307-1671	16	
			7.7	5.9	53307-1471	14	
			6.9	5.1	53307-1271	12	
			6.1	4.3	53307-1071	10	
キャリアテープ幅 CARRIER TAPE WIDTH		D	C	(B)	(A)	EMBOSSED TAPE PACKAGE	極数 CIRCUITS
						ORDER NO	

THIS DRAWING CONTAINS INFORMATION THAT IS PROPRIETARY TO MOLEX ELECTRONIC TECHNOLOGIES, LLC AND SHOULD NOT BE USED WITHOUT WRITTEN PERMISSION

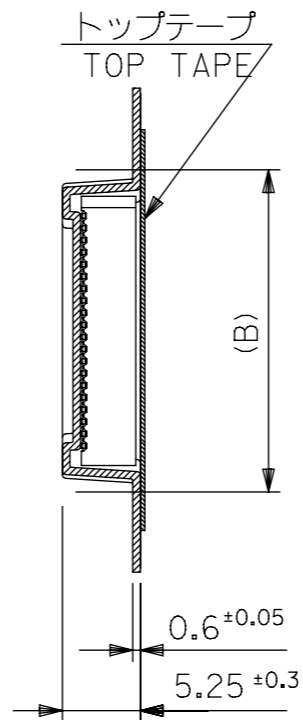
DIMENSION UNITS mm	SCALE NTS	CURRENT REV DESC:		molex			
GENERAL TOLERANCES (UNLESS SPECIFIED)		EC NO: 653700					
ANGULAR TOL ± 30°		DRWN: AHMADI2		PRODUCT CUSTOMER DRAWING			
4 PLACES ± 0.2		CHK'D: HSHIMROYAMA		DOCUMENT NUMBER			
3 PLACES ± 0.25		APPR: SHOSHIKAWA		SD-53307-014			
2 PLACES ± 0.3		INITIAL REVISION:		DOC TYPE			
1 PLACE ±		DRWN: HSHIMABUKURO		PSD			
0 PLACES ±		APPR: MSASAO		DOC PART			
DRAFT WHERE APPLICABLE MUST REMAIN WITHIN DIMENSIONS		THIRD ANGLE PROJECTION		REVISION			
		DRAWING		B			
		SERIES		SHEET NUMBER			
		A3-SIZE		2 OF 3			
		53307		GENERAL MARKET			



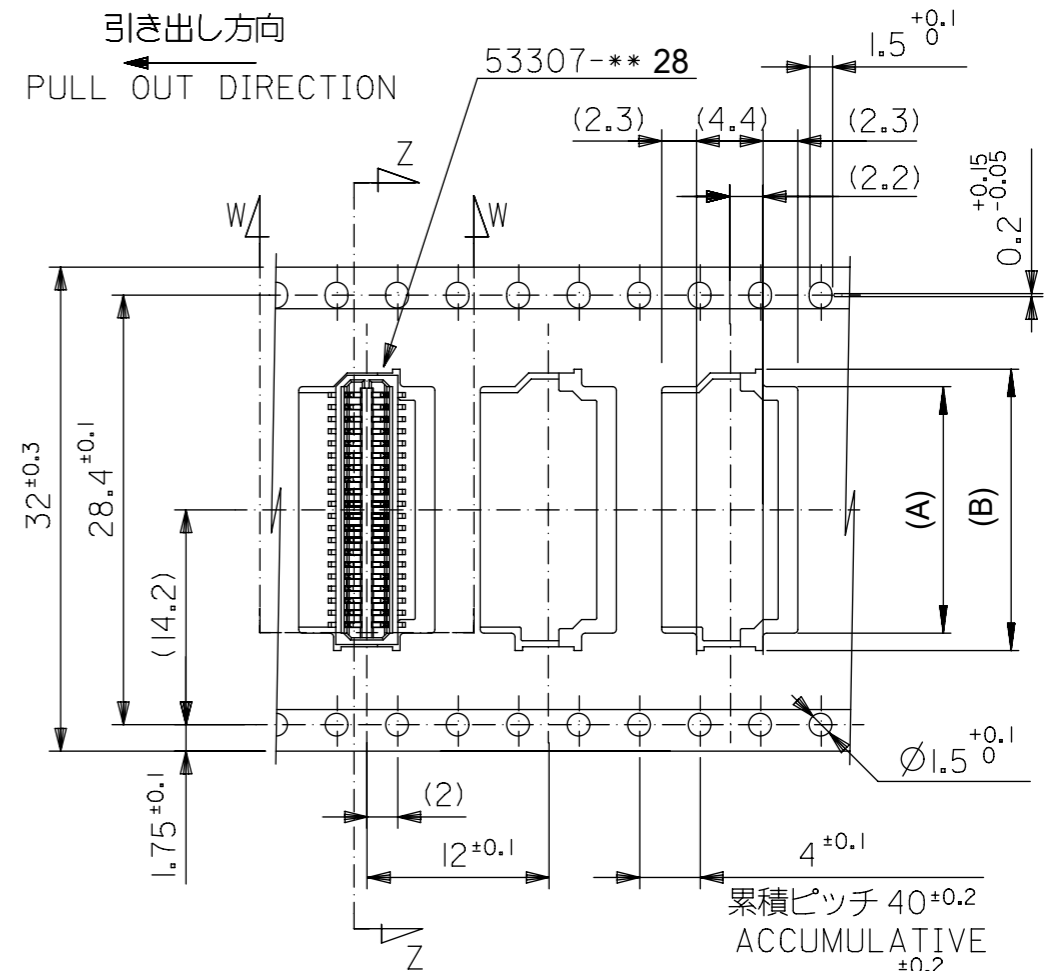
SECT. Y-Y



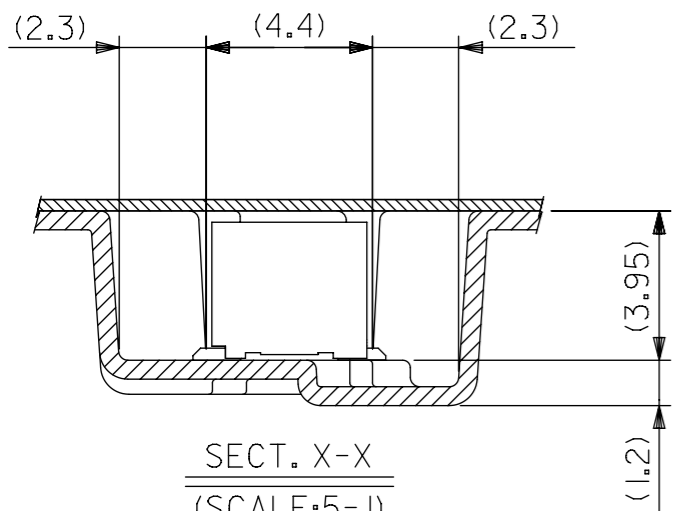
24mm幅キャリアテープ
24mm WIDTH CARRIER TAPE



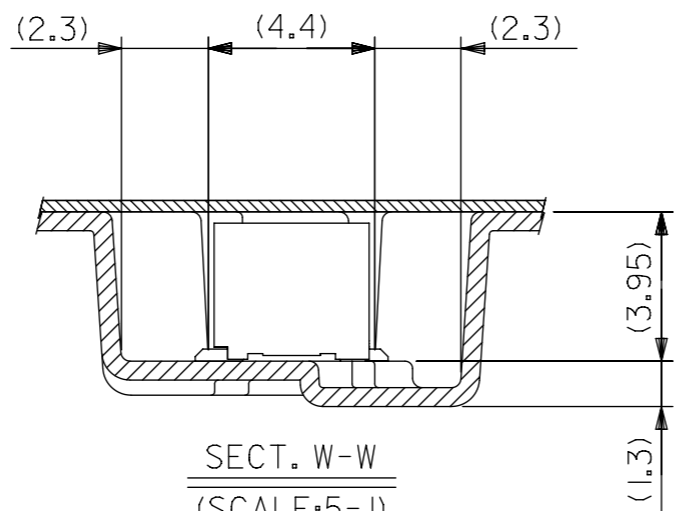
SECT. Z-Z



32mm幅キャリアテープ
32mm WIDTH CARRIER TAPE



SECT. X-X
(SCALE:5-1)

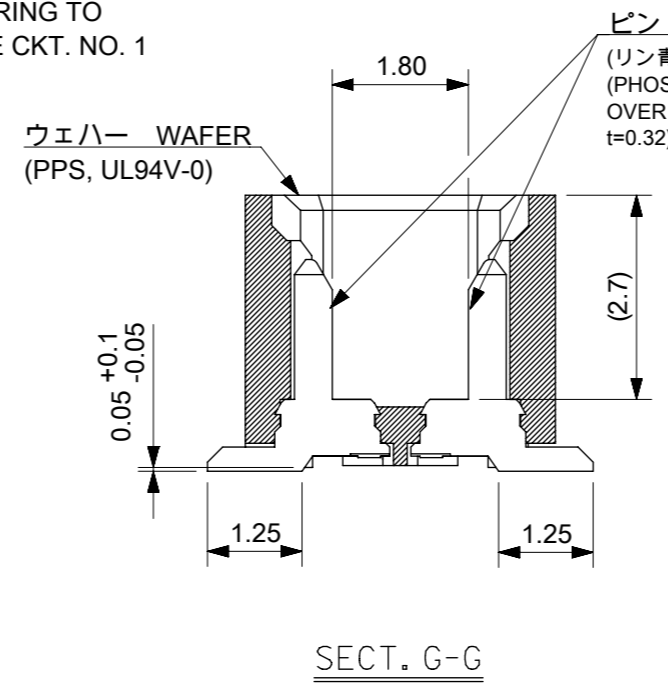
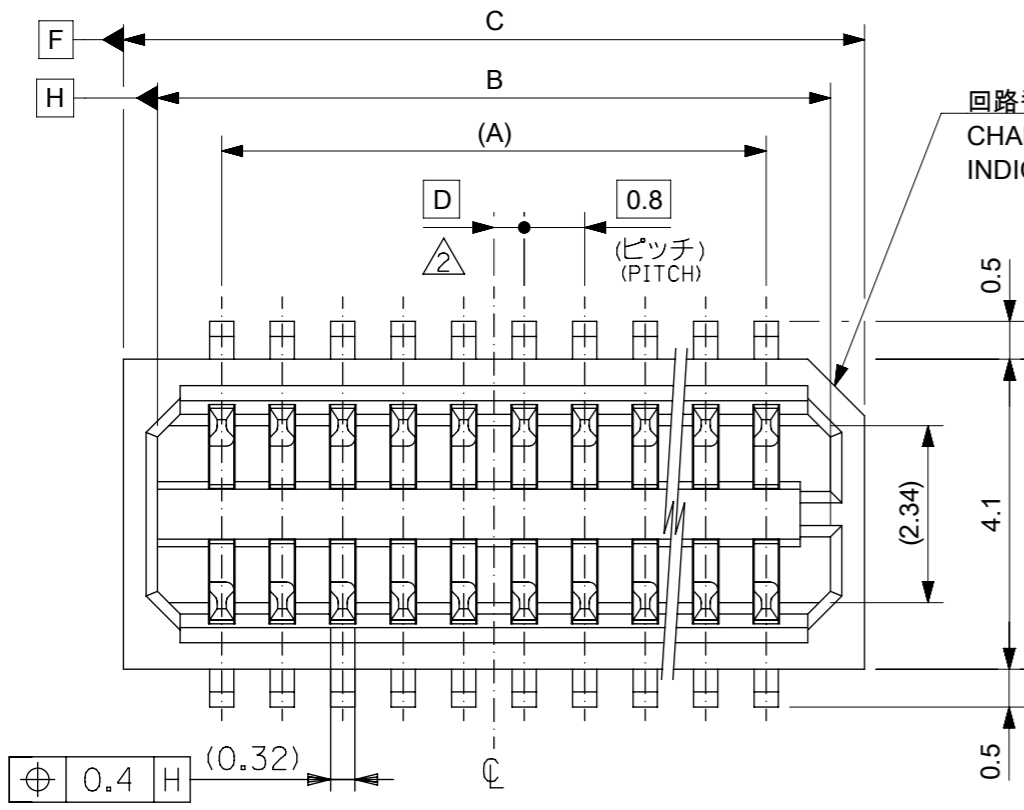


SECT. W-W
(SCALE:5-1)

32	37.4	33.4	18.1	16.3	53307-4071	40		
24	29.4	25.4	16.5	14.7	53307-3671	36		
			15.7	13.9	53307-3471	34		
			14.1	12.3	53307-3071	30		
			13.3	11.5	53307-2871	28		
			12.5	10.7	53307-2671	26		
			11.7	9.9	53307-2471	24		
			10.9	9.1	53307-2271	22		
			10.1	8.3	53307-2071	20		
キャリアテープ幅 CARRIER TAPE WIDTH			D	C	(B)	(A)	EMBOSSED TAPE PACKAGE	極数 CIRCUITS
						ORDER NO		

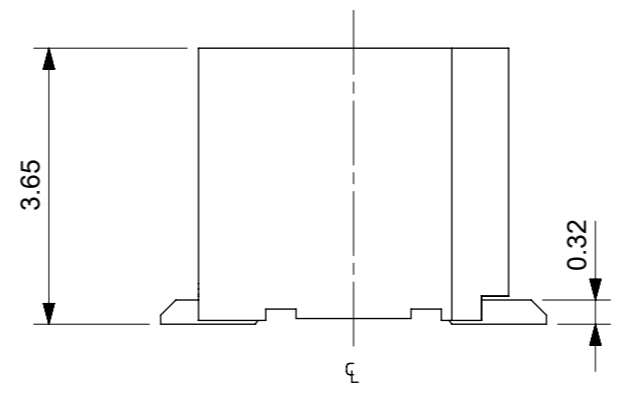
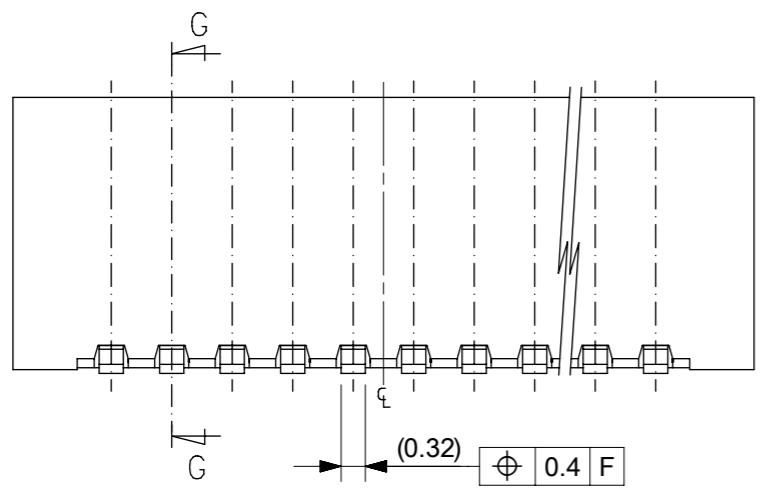
THIS DRAWING CONTAINS INFORMATION THAT IS PROPRIETARY TO MOLEX ELECTRONIC TECHNOLOGIES, LLC AND SHOULD NOT BE USED WITHOUT WRITTEN PERMISSION

DIMENSION UNITS	SCALE	CURRENT REV DESC:	molex		
mm	NTS				
GENERAL TOLERANCES (UNLESS SPECIFIED)			0.8 MM PITCH B-TO-B CONN. PLUG (WITHOUT BOSS) EMBOSS TAPE PACKAGE		
ANGULAR TOL	± 30°	EC NO: 653700	PRODUCT CUSTOMER DRAWING		
4 PLACES	± 0.2	DRWN: AHMADI2	DOCUMENT NUMBER		
3 PLACES	± 0.25	CHK'D: HSHIMOYAMA	DOC TYPE		
2 PLACES	± 0.3	APPR: SHOSHIKAWA	DOC PART		
1 PLACE	±	INITIAL REVISION:	REVISION		
0 PLACES	±	DRWN: HSHIMABUKURO	SD-53307-014		
DRAFT WHERE APPLICABLE MUST REMAIN WITHIN DIMENSIONS			PSD 001 B		
THIRD ANGLE PROJECTION			MATERIAL NUMBER		
DRAWING			CUSTOMER		
SERIES			SHEET NUMBER		
A3-SIZE			GENERAL MARKET		
53307			3 OF 3		

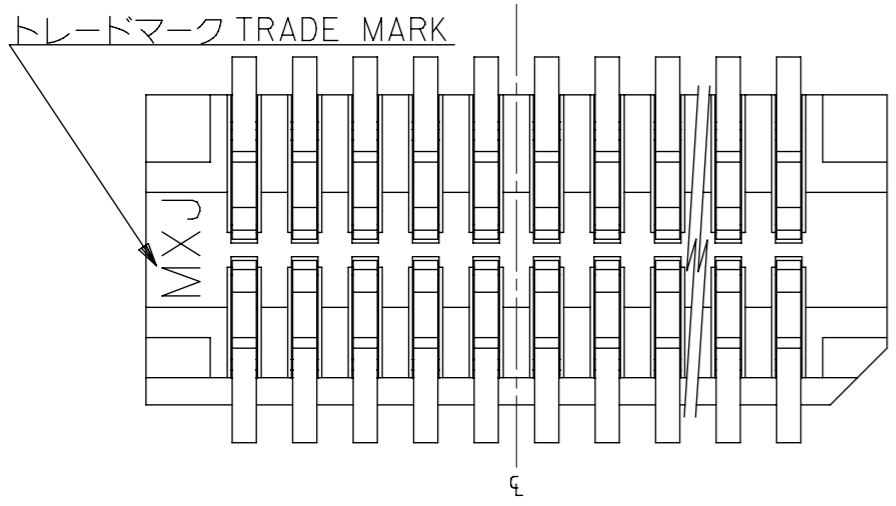


注記 NOTES

- 1 嵌合相手 : 52465シリーズ
MATE WITH : 52465 SERIES
- 2 ウェハーのφから隣接するピンのφ迄の位置を示す。
SHOW POSITION FROM φ OF WAFER TO φ OF ADJACENT PINS.
- 3 本製品は 53307-**27 の鉛フリー品である。
THIS PRODUCT IS LEAD FREE OF 53307-**27.



0.4	17.8	16.9	15.2	53307-4071	40
0.4	16.2	15.3	13.6	53307-3671	36
0.8	15.4	14.5	12.8	53307-3471	34
0.8	13.8	12.9	11.2	53307-3071	30
0.4	13.0	12.1	10.4	53307-2871	28
0.8	12.2	11.3	9.6	53307-2671	26
0.4	11.4	10.5	8.8	53307-2471	24
0.8	10.6	9.7	8.0	53307-2271	22
0.4	9.8	8.9	7.2	53307-2071	20
0.8	9.0	8.1	6.4	53307-1871	18
0.4	8.2	7.3	5.6	53307-1671	16
0.8	7.4	6.5	4.8	53307-1471	14
0.4	6.6	5.7	4.0	53307-1271	12
0.8	5.8	4.9	3.2	53307-1071	10
D	C	B	A	EMBOSSED TAPE PACKAGE	極数
				ORDER NO	CIRCUITS



THIS DRAWING CONTAINS INFORMATION THAT IS PROPRIETARY TO MOLEX ELECTRONIC TECHNOLOGIES, LLC AND SHOULD NOT BE USED WITHOUT WRITTEN PERMISSION

DIMENSION UNITS	SCALE	CURRENT REV DESC:
mm	NTS	
GENERAL TOLERANCES (UNLESS SPECIFIED)		
GENERAL TOLERANCES (UNLESS SPECIFIED)	ANGULAR TOL ± 30°	EC NO: 656567
10 ^{UNDER} ±0.2	4 PLACES ± 0.2	DRWN: AHMADI2 2021/02/03
10 ^{OVER} 30 ^{UNDER} ±0.25	3 PLACES ± 0.25	CHK'D: HSHIMOYAMA 2021/02/26
30 ^{OVER} ±0.3	2 PLACES ± 0.3	APPR: SHOSHIKAWA 2021/02/26
ANGULAR±3°	1 PLACE ±	INITIAL REVISION:
DRAFT WHERE APPLICABLE MUST REMAIN WITHIN DIMENSIONS	0 PLACES ±	DRWN: HSHIMABUKURO 2004/03/03
		APPR: MSASAO 2004/03/05
THIRD ANGLE PROJECTION	DRAWING	SERIES
⊕	A3-SIZE	53307

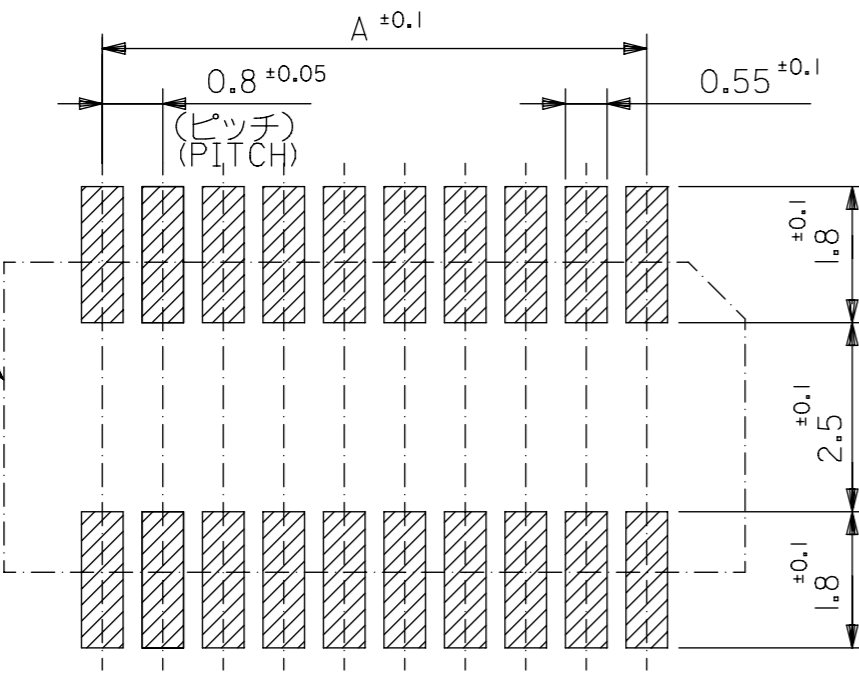
DOCUMENT NUMBER: SD-53307-015
DOC TYPE: PSD
DOC PART: 001
REVISION: E

PRODUCT CUSTOMER DRAWING

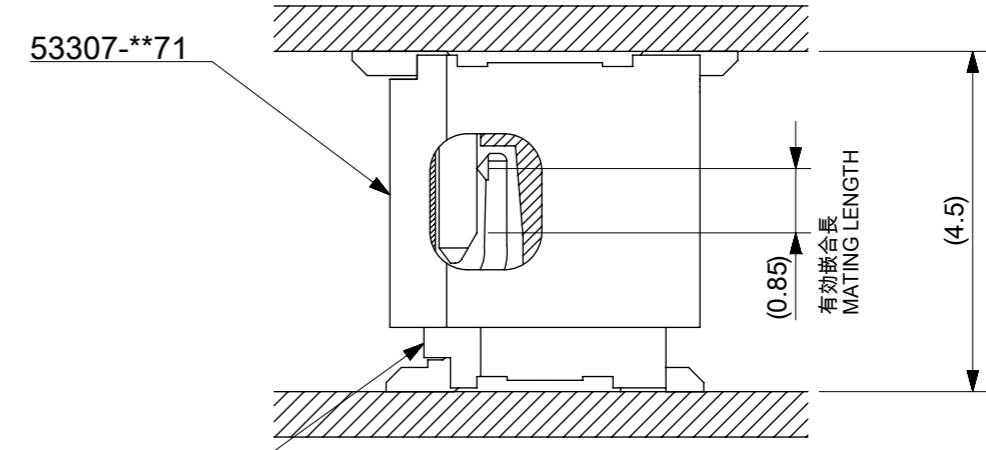
GENERAL MARKET

SHEET NUMBER: 1 OF 2

コネクタ位置
CONNECTOR
POSITION



参考基板レイアウト (マウント面)
P.C.B PATTERN LAYOUT (REF.) (MOUNT AREA)



嵌合相手 MATE WITH
52465-**70 (BOSSあり WITH BOSS)
52465-**71 (BOSS無し WITHOUT BOSS)

嵌合状態図 (参考)
MATED DRAWING (REF.)

THIS DRAWING CONTAINS INFORMATION THAT IS PROPRIETARY TO MOLEX ELECTRONIC TECHNOLOGIES, LLC AND SHOULD NOT BE USED WITHOUT WRITTEN PERMISSION		CURRENT REV DESC:		molex	
DIMENSION UNITS	SCALE	EC NO: 656567			
mm	NTS	DRWN: AHMADI2 2021/02/03		PRODUCT CUSTOMER DRAWING	
GENERAL TOLERANCES (UNLESS SPECIFIED)		CHK'D: HSHIMOYAMA 2021/02/26		DOCUMENT NUMBER	
ANGULAR TOL ± 30°		APPR: SHOSHIKAWA 2021/02/26		SD-53307-015	
4 PLACES ± 0.2		INITIAL REVISION:		DOC TYPE	
3 PLACES ± 0.25		DRWN: HSHIMABUKURO 2004/03/03		PSD	
2 PLACES ± 0.3		APPR: MSASAO 2004/03/05		DOC PART	
1 PLACE ±		SERIES		001	
0 PLACES ±		A3-SIZE		E	
DRAFT WHERE APPLICABLE MUST REMAIN WITHIN DIMENSIONS		THIRD ANGLE PROJECTION		REVISION	
DRAFT WHERE APPLICABLE MUST REMAIN WITHIN DIMENSIONS		DRAWING		MATERIAL NUMBER	
		A3-SIZE		CUSTOMER	
		SERIES		GENERAL MARKET	
		53307		SHEET NUMBER	
				2 OF 2	