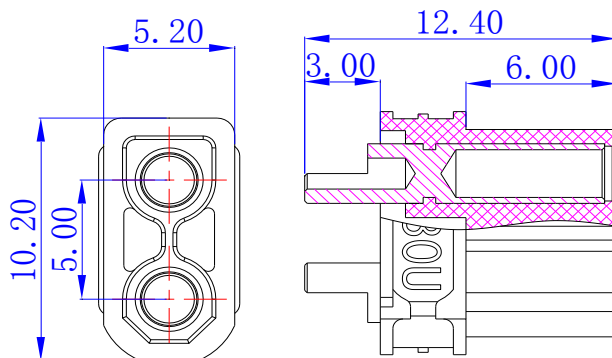


AMASS

(Item No): XT30U-F

(Drawing)



■ (Material & Parameter)

Item No.	XT30U-F	CR	0.70mΩ
COLOR	 		DC 500V
Metal Material	Brass Gold Plated	RC	15A
Plastic Material	PA	MC	30A
FR LEVEL	UL94 V0	USE TIMES	1000 TIMES
Recommend USE	BATTERY	Cable SPEC.	18AWG
CERTIFICATION	CE/UL	TEMPERATURE	-20°C to 120°C

★ (Data sheet will change according with the test background)