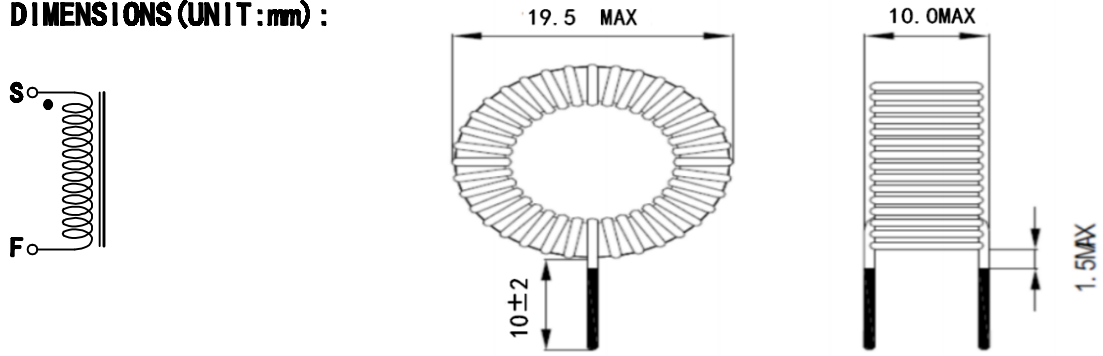


DT0100.0/5A/19.5x10

SPECIFICATION FOR APPROVAL

1、 DIMENSIONS (UNIT:mm) :



2、 ELECTRICAL CHARACTERISTICS:

L(S-F) : 100.0uH ± 10%	RATED CURRENT : 5A MAX
DGR : 60mΩ MAX	
	MEASURING INSTRUMENT : TH2810B LCR1KHz/1V

3、 MATERIAL LIST:

WIRE : N1 (S-F) : 2UEW φ 0.75mm x 42.0Ts ;