
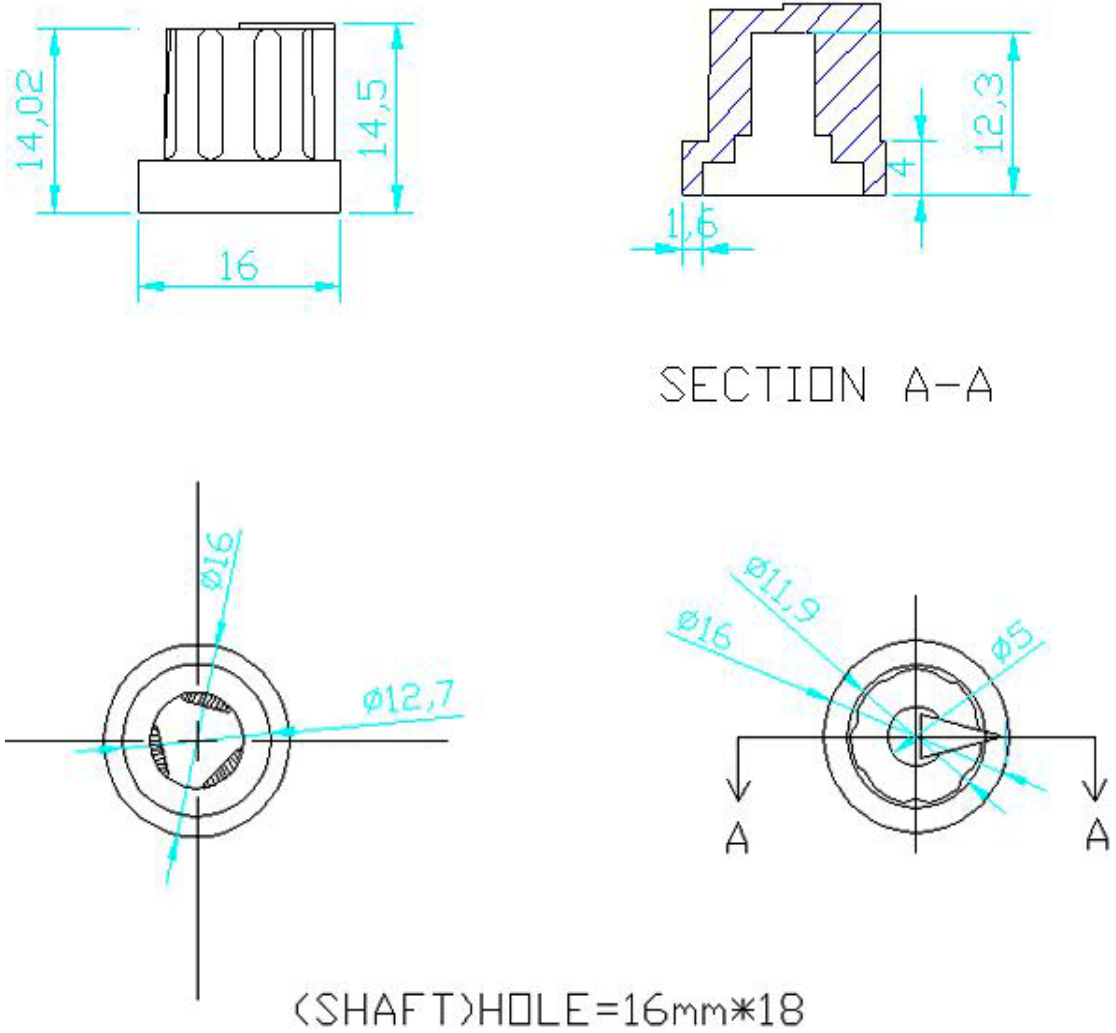


Part NO.	G 101B_x	Drawing	
Dimensions	16x14.5mm		
Material	Rubber+Plastic		
Color	Blue/Green/Gray/Red/ White, Yellow		
Shaft Hole	16mm*8 teeth		
		 <p data-bbox="1220 1292 1736 1340">(SHAFT)HOLE=16mm*18</p>	