

CUSTOMER No.:

OUR PART No.:

MODEL No.:

CUSTOMER PART No.:

CUSTOMER	APPROVED	CHECKED

Specification for Piezoelectric Ceramic Buzzer Pin Type	Des.	Page 2 of 5

1. Technical Parameter

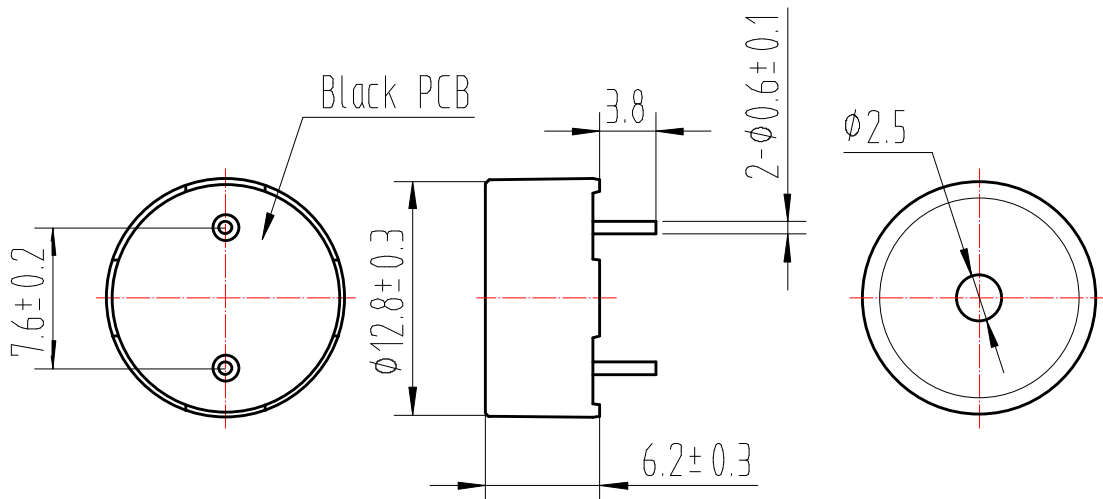
Measuring condition

Part shall be measured under a condition (Temperature: 5~35°C, Humidity: 45%~85%R.H., Atmospheric pressure: 860 ~1060hPa) unless the standard condition (Temperature: 25±3°C, Humidity: 60±10%R.H. Atmospheric pressure: 860 ~1060hPa) is regulated to measure.

1	Resonant Frequency	4000±500Hz
2	Operating Voltage	1~25 Vp-p
3	Rated Current	Max.5mA , At 4KHz 50% duty Square Wave 5Vp-p
4	Sound Output at 10cm	Min. 80dB, At 4KHz 50% duty Square Wave 5Vp-p
5	Capacitance	12000±30% pF At 1KHz
6	Operating Temperature	-20°C~+70°C
7	Store Temperature	-30°C~+80°C
8	Net Weight	Approx 0.6g
9	RoHS	Yes

2. Dimensions

Unit: mm



*Unit: mm; Tolerance: ±0.5mm Except Specified

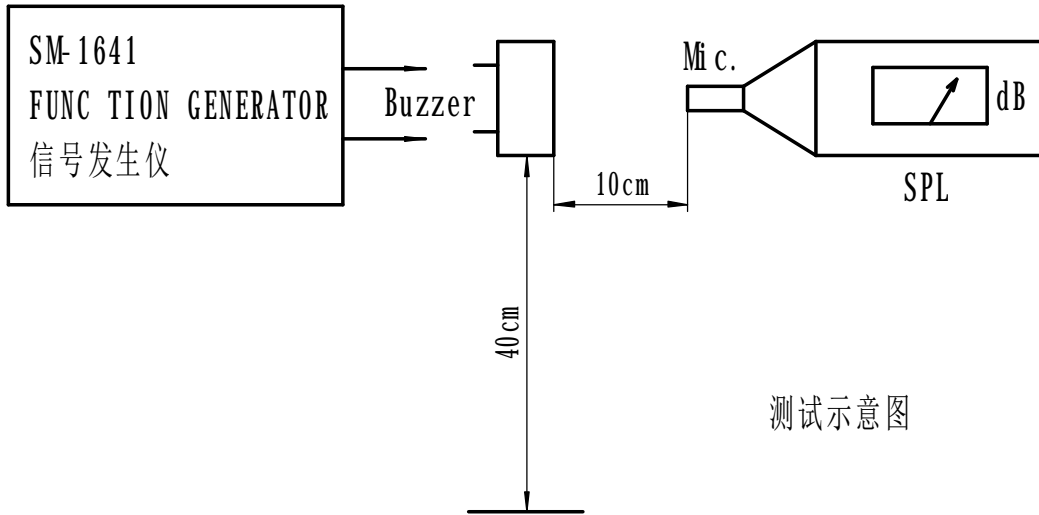
*Housing Material: Black Noryl

* Lead Material: Tin Plating Cu

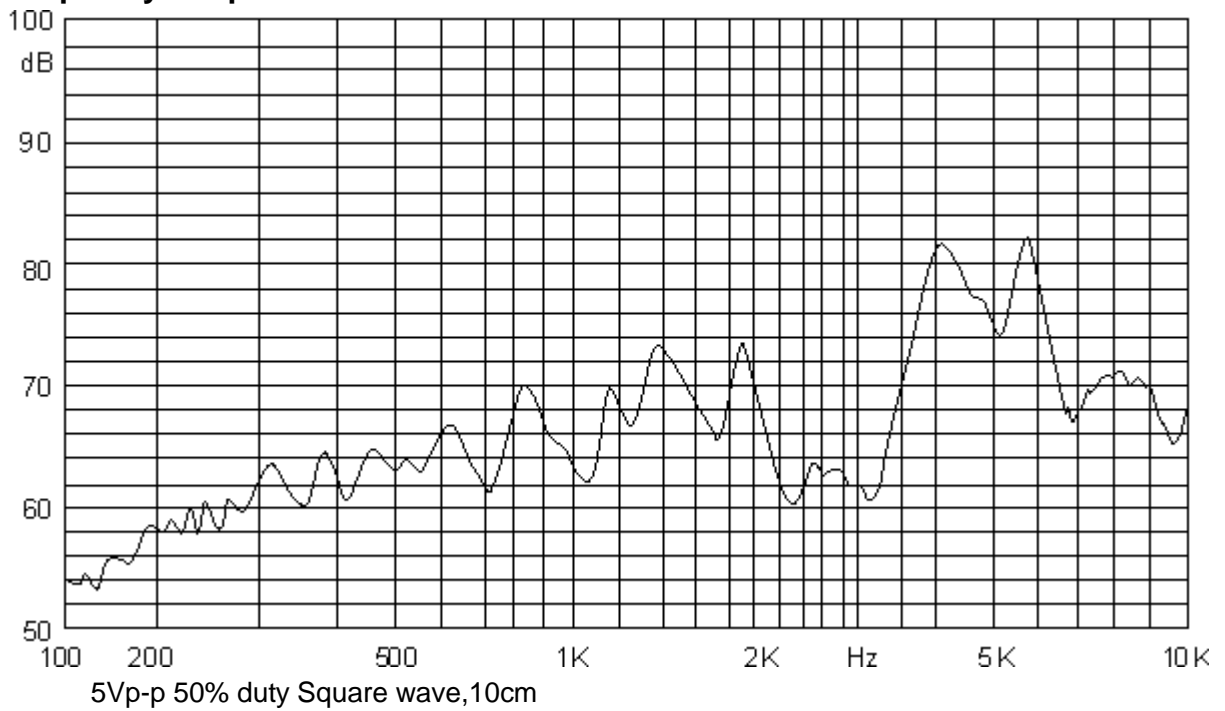
Specification for Piezoelectric Ceramic Buzzer Pin Type	Des.	Page 3 of 5

3. Electrical And Acoustical Measuring Condition

Recommended Setting



4. Frequency Response



Specification for Piezoelectric Ceramic Buzzer Pin Type	Des.	Page 4 of 5

5. Reliability Test

After any following tests the part shall meet specifications without any degradation in appearance and performance except SPL. SPL shall not deviate more than -5 dB from the initial value

5.1 Ordinary Temperature Life Test

The part shall be subjected to 96 hours at $25 \pm 10^{\circ}\text{C}$. Input rated voltage
Resonant frequency, 1/2 duty Square wave.

5.2 High Temperature Test

The part shall be capable of with standing a storage temperature of $+80^{\circ}\text{C}$ for 96 hours.

5.3 Low Temperature Test

The part shall be capable of with standing a storage temperature of -30°C for 96 hours.

5.4 Humidity Test

Temperature: $+40^{\circ}\text{C} \pm 3^{\circ}\text{C}$ Relative Humidity: 90%~95% Duration: 48 hours
and expose to room temperature for 6 hours

5.5 Temperature Shock Test

Temperature: 60°C /1hour → 25°C /3hours → -20°C /1hour → 25°C /3hours (1cycle)
Total cycle: 10 cycles

5.6 Drop Test

Standard Packaging From 1.2m(Drop on hard wood or board of 5cm thick,
three sides, six plain.)

5.7 Vibration Test

Vibration: 1000cycles /min. Amplitude: 1.5mm, Duration: 1 hour in each 3 axes

Note:

As this product is not protected from foreign material entering, please make sure that any foreign materials (e.g. magnetic powder, washing solvent, flux, corrosive gas) do not enter this product in your production processes. The functional degradation (e.g. SPL down) may occur if foreign material enter it.

Specification for Piezoelectric Ceramic Buzzer Pin Type	Des.	Page 5 of 5

6. 其他信息

包装要求	1.泡沫板 150PCS/板 料号: F6-703 2.内盒 1500PCS/盒 料号: F6-057/F6-058 3.外箱 6000PCS/箱 料号: F6-022		
唛头要求	:		
验收要求			

7. 变更记录

日期	变更项目	备注	确认人

--