

ROTARY POTENTIOMETERS WITH METAL SHAFT

General

- This specification is applied to potentiometers used for electronic equipment.
- Operating temperature: $-10^{\circ}\text{C} \sim 70^{\circ}\text{C}$

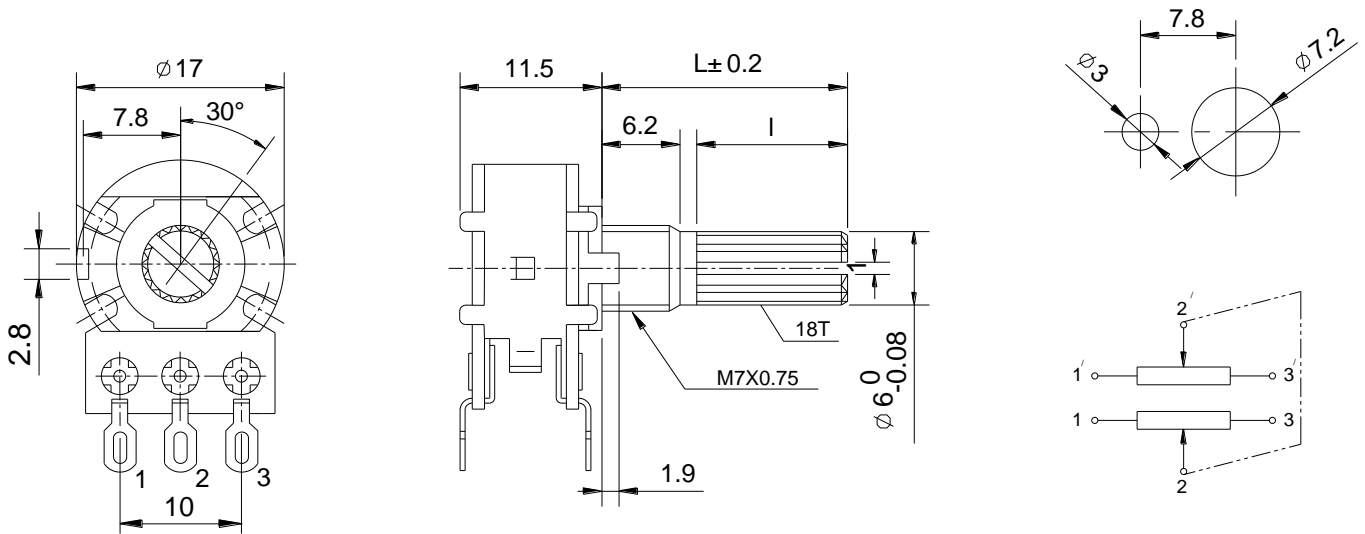
Features

- Long life model, low cost
- Better feeling, center detent available
- Special tapers.

Applications

- Multimedia, computer speaker, stereos, amplifier etc

OUTLINE DRAWING AND MOUNTING HOLE DETAIL



CHARACTERISTICS

| ITEM | | SPECIFICATION |
|-----------------------------------|----------------------------|---|
| Electrical Characteristics | Temp Range | -10°C ~ 70°C |
| | Rated Power | Curve B:0.125W Other curve B:0.053W |
| | Max Operation Voltage | Curve B:200V Other curve B:150V |
| | Resistance Range | 1KΩ ~ 2MΩ |
| | Allow Desistance Tolerance | ±20%(1MΩ or more30%) |
| | Rotational Noise | ≤47mV |
| | Terminal Resistance | R≥250KΩ 0.1%R max 250KΩ>R>10KΩ 20Ωmax 10 KΩ≥R 10Ωmax |
| | Resistance Law | A、 B、 C |
| | Tracking error | 0 ~ -40dB±3dB |
| | Dielectric | AC500V,1minute |
| | Insulation Resistance | More than 100MΩ at DC500V |
| Mechanical Characteristics | Rotational Torque | 2 ~ 20 mN.m (20 ~ 200gf.cm) |
| | Total Rotational Angle | 300°±5° |
| | Rotary life | 10,000 cycles |
| | Shaft Stopper Strength | 6Kgf.cm |
| | Push Pull Strength | 60 N |
| | Click position | Center detent or 10,20,40 position clicks |
| Soldering | | T≤260°C, t≤10s |