

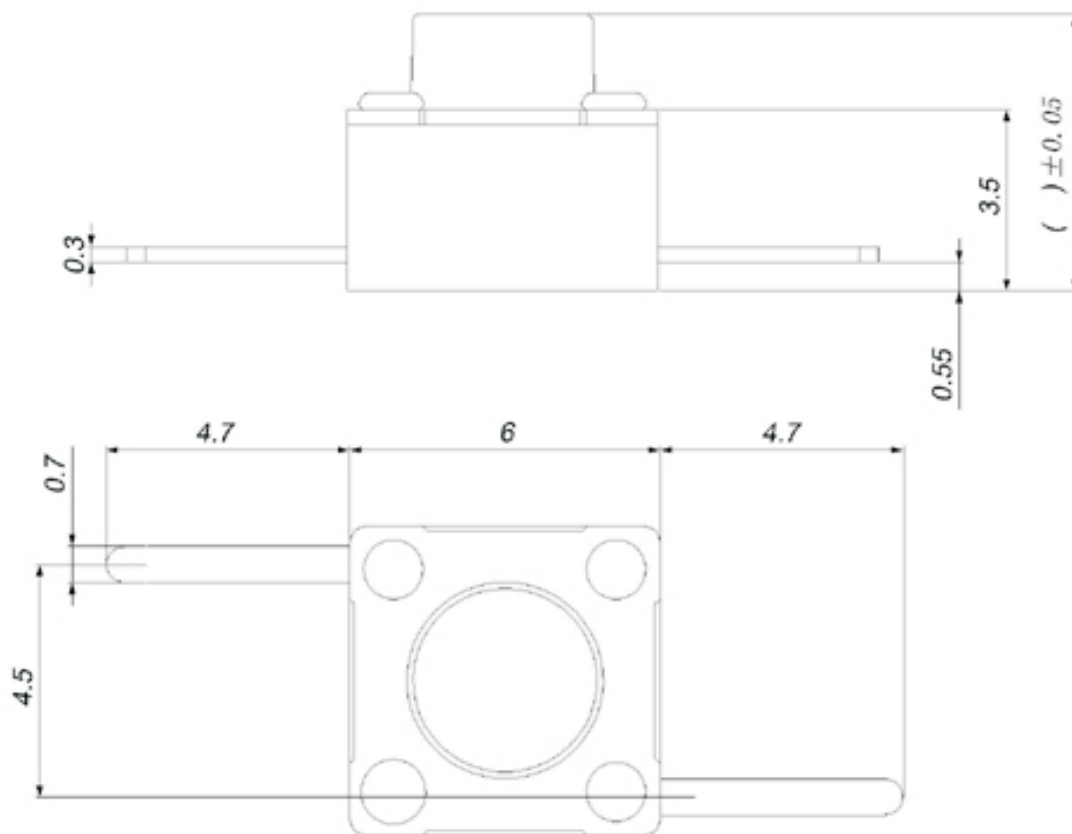
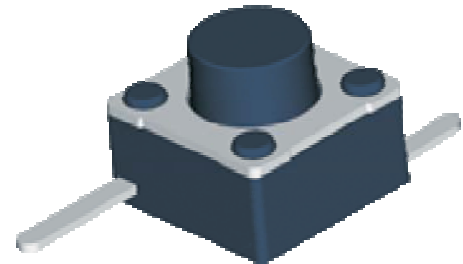
# Switch

## Tact Switch Series

### TS6661 6x6 Tact Switch Series

#### ELECTRICAL

1. Rating: 50mA 12VDC
2. Contact Resistance : 50mΩ max(initial)
3. Insulation Resistance: 100MΩ(minDC 250V)
4. Dielectric Strength : AC250V(50/60Hz for 1minute)
5. Electrically Life: 100000cycles
6. Environment temperature:-20°C~+70°C
7. Operating Force: 180/250(±30gf)
8. Seal temperature:260°C~ 280°C



## ORDER INFORMATION

TS66	61	- H1	- 180	-B	
Part Number					Packing: B-Bulk
					Operating Force : 180~250gf
					Hight: H1=4.3mm H2=5.0mm H3=6.0mm
					H4=7.0mm