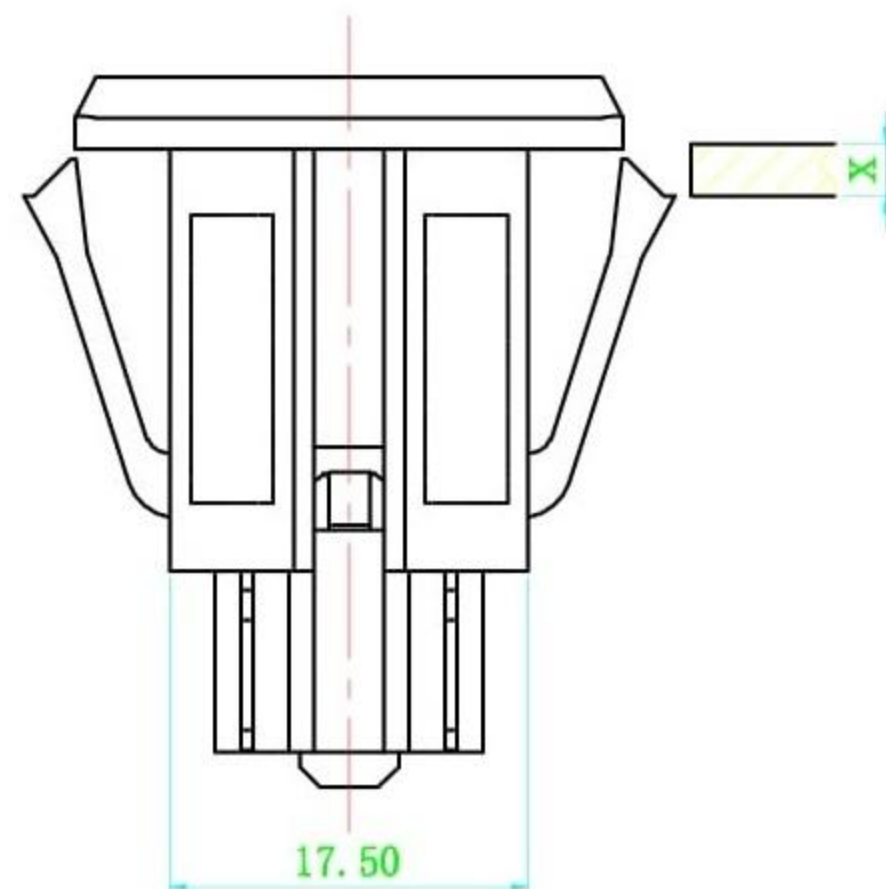


PANEL CUT-OUT



X	L
0.8	24
1.0	24.6
1.2	25.2
1.6~3.0	26.2

Rating : 10A 250V
Insert And Extract Force: 1.36kgf~6.8kgf
Terminal Strength: ≥80N
Operating Life: ≥5000 cycles
Withstand Voltage: Between all terminals:2500VAC (50-60Hz)1min
 terminals to Base:3750V AC (50-60Hz)1min
Leakage Current : 1mA
Insulation Resistance: ≥100MΩ 500V DC

A4				普通公差		LANZ ELECTRONICS CO.,LTD					
A3				COMMON TOLERANCE :							
A2				UP TO 5	±0.20	单位	mm	投影	⊕	品名	Ac Outlet
A1				ABOVE 5 TO 30	±0.30	UNIT		PROJECTED		PRODUCT NAME	
REV.	DATE	REVISION DESCRIPTION	ISSUE	ABOVE 30	±0.50	绘图		核对		型号	LZ-F
				ANGULAR	±5°	DATE		核准		图号	
								APPROVAL BY		DWG NO.	