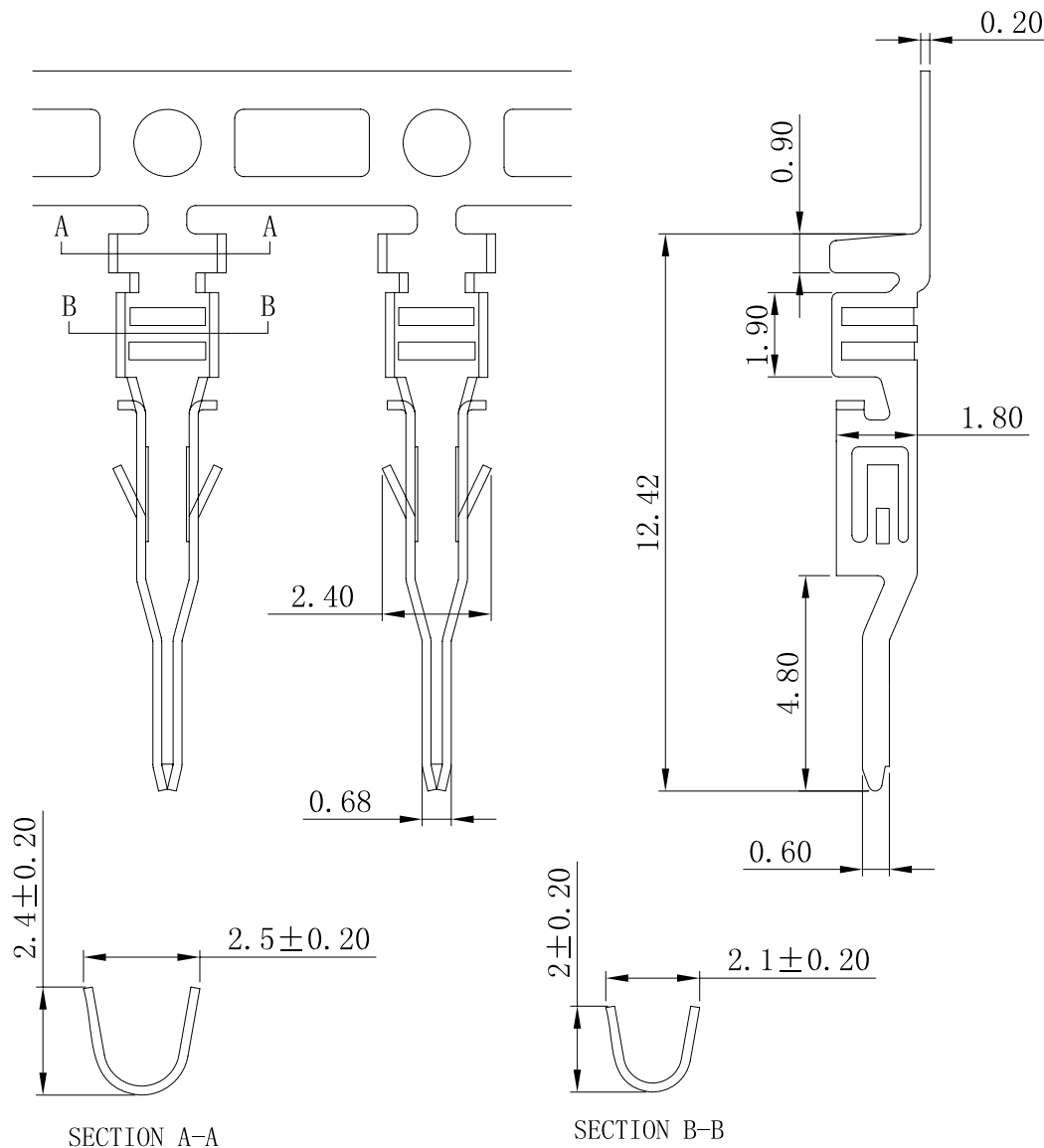


RoHS

REVISION DATE		
ITEM	DESCRIPTION	DATE
A	Issue	2010 05 14

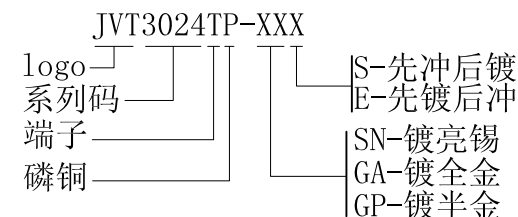


■ SPECIFICATIONS

- Voltage rating: 250V AC/DC
- Current rating: 5.0A AC/DC
- Withstanding Voltage: 1500V AC/minute
- Insulation resistance: 1000mΩ Min.
- Temperature range: -40°C - +105°C
- Contact resistance: 10mΩ Max.

■ TERMINAL

- Part No. : JVT3024TP-XXX
- Material: Phosphor Bronze
- Thickness: 0.20mm
- Finish: Tin-plated
- Applicable wires: AWG# 20~28
- Q' ty: 10,000 pcs/reel



投影 (PROJECT)		公差 (TOLERANCE)	
单位 (UNIT)	mm	0	±0.50
比例 (SCALE)	FIT	0.0	±0.30
版本 (EDITION)	A	0.00	±0.20
日期 (DATE)	2010 05 14	0.000	±0.10

东莞市乔业电子有限公司
DONG GUAN CHYAO YEE (JVT) CONNECTORS CO., LTD.

绘图 (DRAWN)	YongJun	料号 (PART NO)	JVT3024TP-XXX	页次 (PAGE)	
审核 (CHECKED)		图号 (DRAW NO)	031-3024-01		1/1
核准 (APPROVE)		品名 (NAME)	MLX3.0mm Male TER		