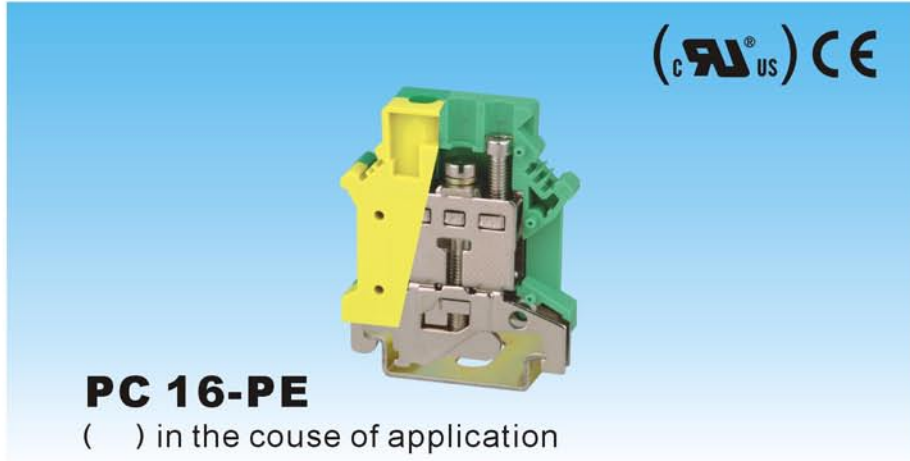


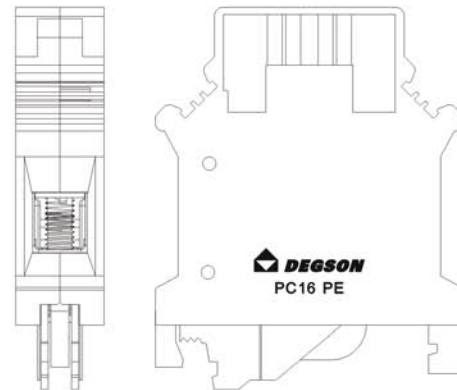
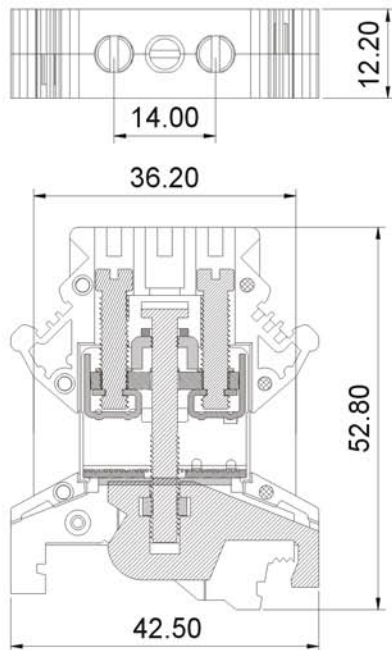


DEGSON ELECTRONICS CO., LTD.

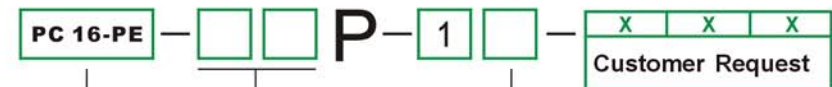
Product Specification



Specification	Model	PCS
(1) Ground Terminal Block	PC 16-PE	50
(2) Zack Strip	ZB 10	
Thickness / Width [mm]	12.2 / 42.5 mm	
Height [mm] (NS35:7.5/NS35:15/NS32)	54 / 61.5 / 59 mm	
Rated surge Voltage/Contaminatin class	8kV / 3	
Wire Size [mm ²] / AWG	4-16 mm ² / 12-4 AWG	
Stripping Length [mm]	11 mm	
Clamping Screw:Screw Thread / Tightening Torque	M4 / 1.5-1.8 Nm	
Fixing Screw:Screw Thread / Tightening Torque	M4 / 1.5-1.8 Nm	
Internal Cylindrical Gage	B7	
Insulating Material / Inflammability Class	PA / V-0	



HOW TO ORDER:



Series No. No. of Pole

Color

1 Gray	4 Green	7 Trans-parent
2 Blue	5 Orange	8 Yellow
3 Black	6 Red	9 White

	DEGSON ELECTRONICS CO., LTD.
	NAME PC 16-PE