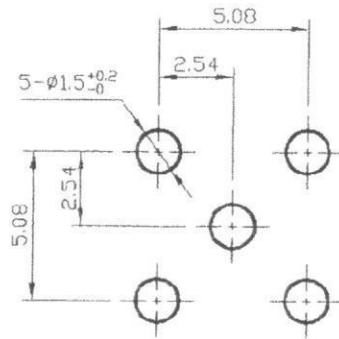
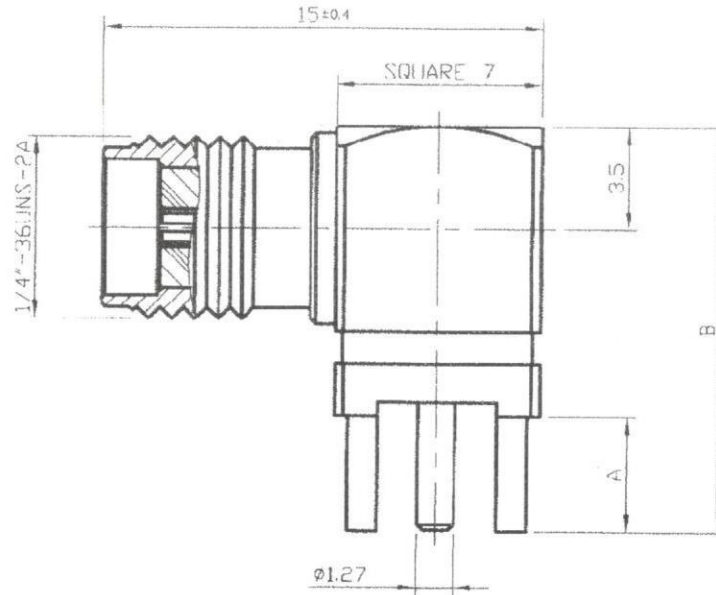


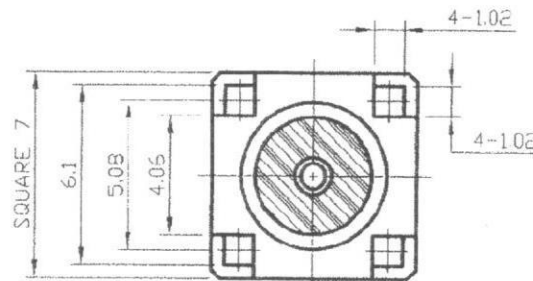
NOMINAL IMPEDANCE: 50Ω  
 FREQUENCY RANGE: DC 0 ~ 6GHz  
 VSWR: 1.3 MAX

PUSHOUT FORCE FOR BODY : 20KG MAX


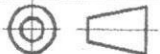


REFERENCE MOUNTING HOLES

REFERENCE MOUNTING HOLES



NO	DESCRIPTION	MATERIAL	Q'TY	FINISH	ITEM
05	INSULATOR	TEFLON	1		
04	CUBE BODY	BRASS	1	GOLD	
03	CENTER PIN	PHOSPHOR BRONZE	1	GOLD	
02	INSULATOR	TEFLON	1		
01	BODY	BRASS	1	GOLD	

R&D					
APPROVED					
TOLERANCES	±0.1				
SCALE	4:1	P/N	SMA906	REV	A
 ALL DIMENSION IN mm (UNLESS OTHERWISE SPECIFIED)		TITLE		SMA Jack For P.C.B Mount , Right Angle	
		<b>RoHS COMPLIANT</b>		UNIT WEIGHT: 3.9 g	