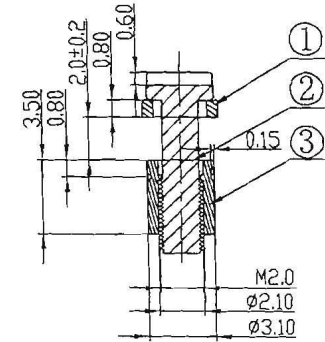
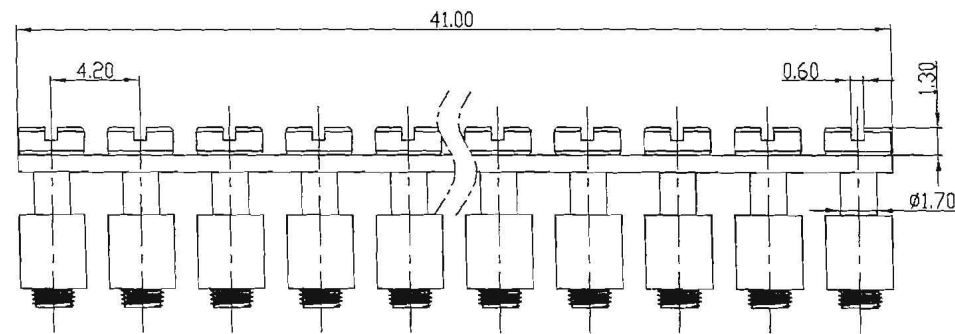
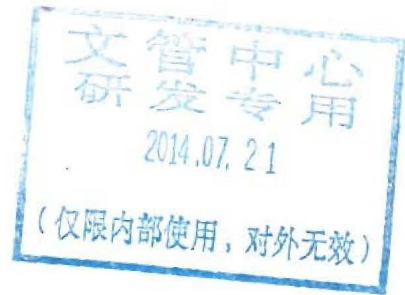
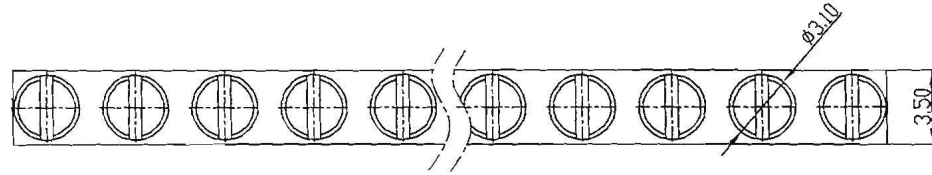


REVISION RECORD				
REV	ECD	DESCRIPTION	DRFT	DATE



Notes:

1. Material: Copper;
2. Plating: Cu plated at the bottom is over 1um; Ni plated on the surface is over 2um;
3. The max burr amount allowed is less than 0.03mm;
4. Screws: M2;
5. Undimensioned Tolerances:

Pitch range in mm		Nominal dimension range in mm					—
to	over	to	over	to	over	to	—
6	10	30	60	100	150		∩
6	10	24	30	60	100	150	◇
±0.10	±0.15	±0.25	±0.2	±0.3	±0.5	±0.7	±1.0, 0.05mm

ITEM	NAME OF PART	NO. OF PART	Q'TY	MATERIAL	NOTES
3	FBRI XX-4 Pillar	X000003940 (H)	XX	Brass	Ni
2	FBRI XX-4 Screws	S000004590 (H)	XX	Brass	Ni
1	FBRI XX-4 Current carrier	6020BXX060 (H)	1	Copper	Snce

DETO YHG	DATE 06/08/09	宁波海正电子有限公司 DEGSON ELECTRONICS CO., LTD
CHKD <i>WY</i>	DATE 7.6.09	
MFD	DATE	
APPL <i>Mois</i>	DATE 09/16/10	NAME FBRI XX-4
MATERIAL		DRAWING NO. FBRI 10-4-E01
FINISH		/PART NO.
THIRD ANGLE PROJECTION SCALE		SIZE A3
DE NOT SCALE DRAWING		REV TC
5-55°		09/16/10