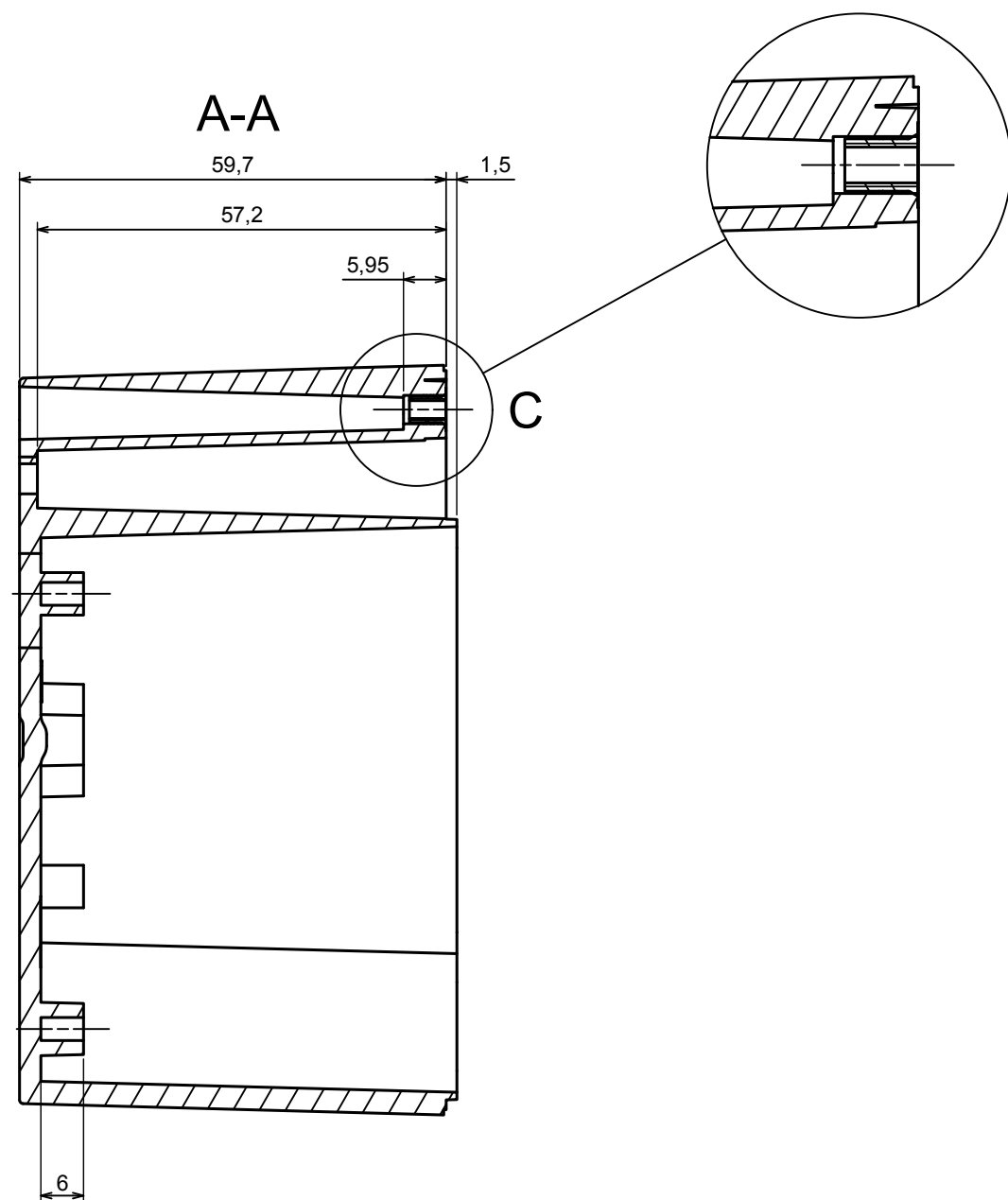


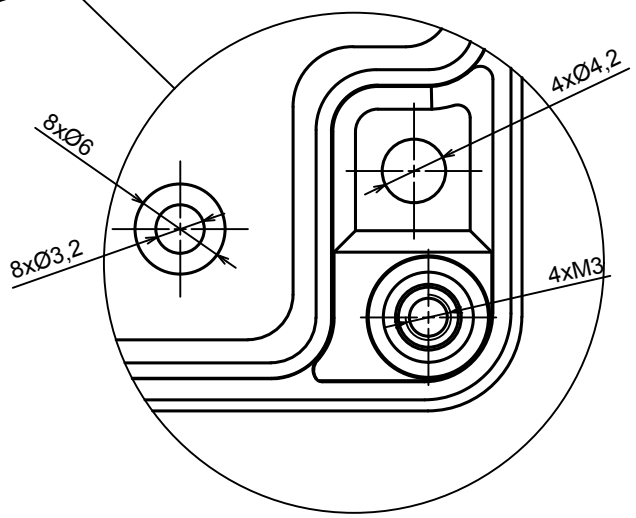
A |

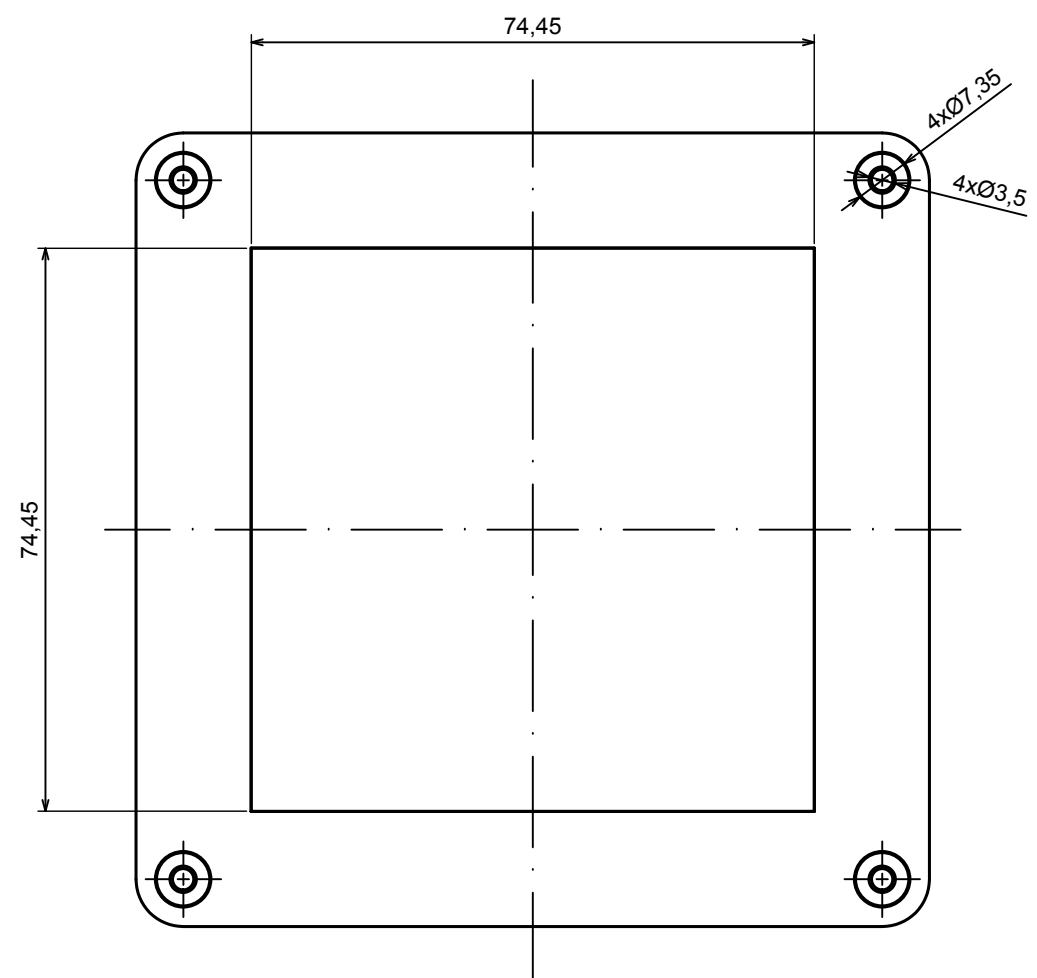
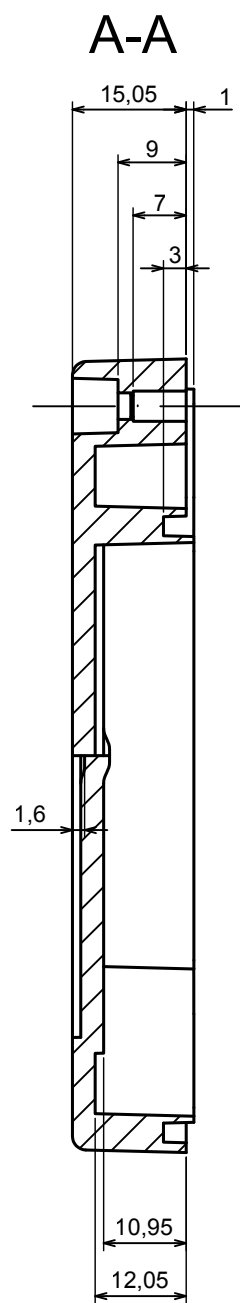
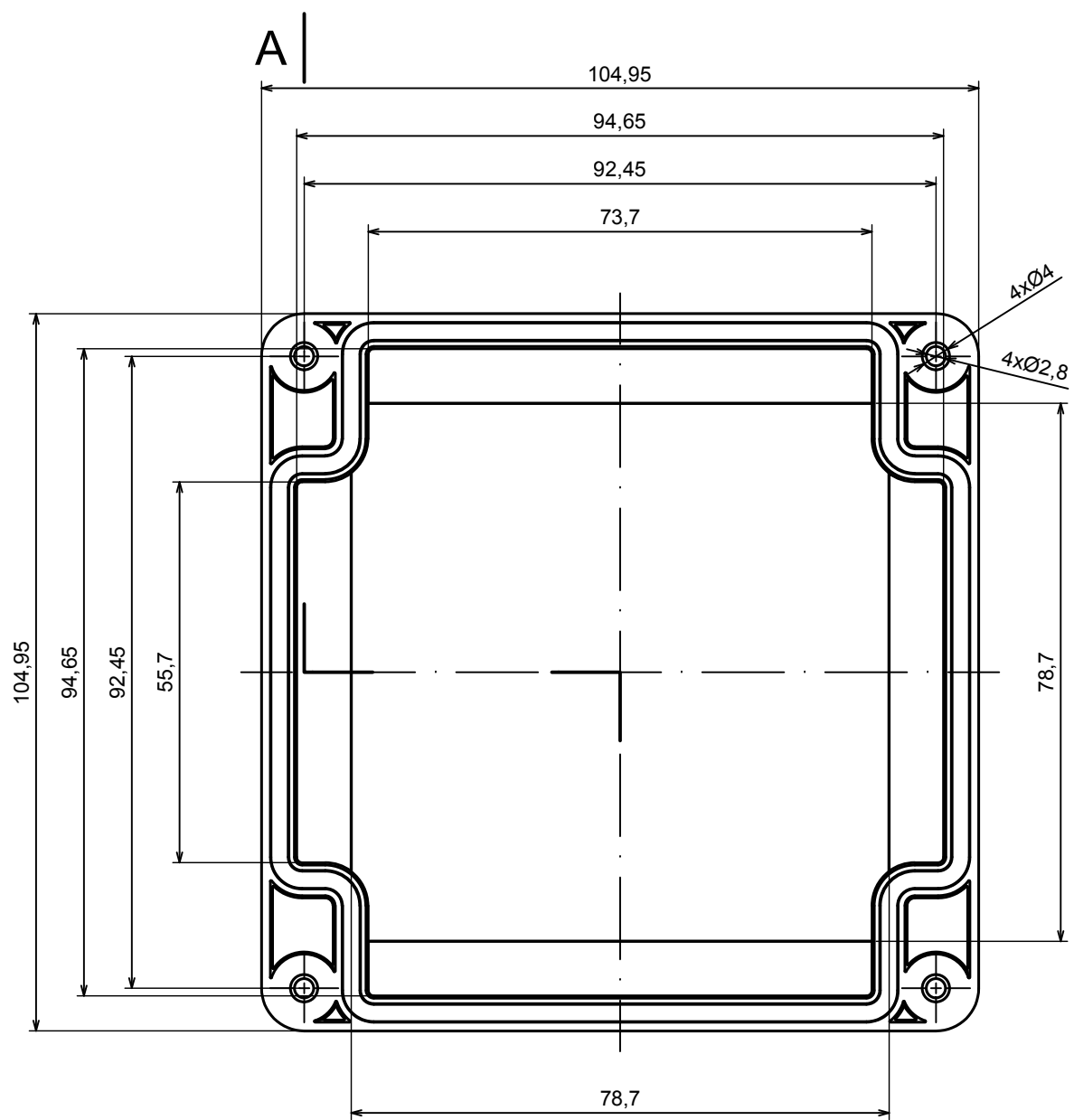
C (2:1)



B (2:1)

A |





A |