

系列类别码 AS - T X X X XX - XXX XX X - 02 - 09 - 1134

端子 M=公座 F=母座

PITCH值 G=1.0 I=1.27\*1.27 L=2.0 N=2.54 P=3.96 R=5.08 Z=其他 (散装端子) B=0.8

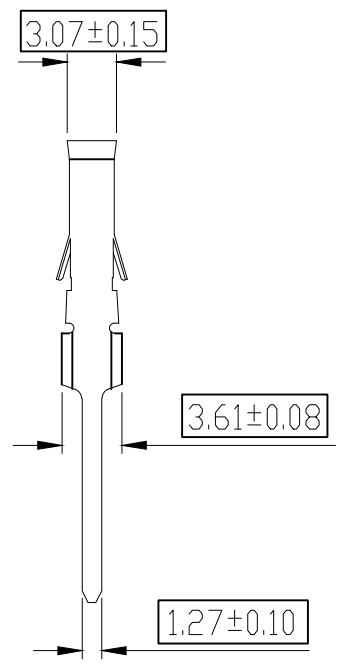
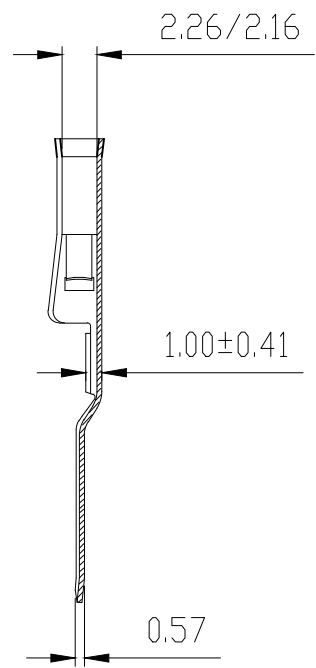
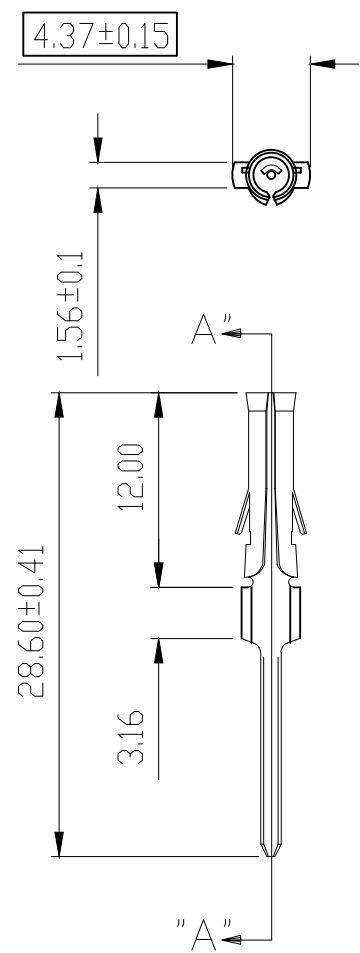
未加工型態 X=1 X=2 X=3 X=4 参照附表1

端子长度 XX=01 XX=02 XX=03 流水码 01~99

电镀码 01=Gold flash 02=Gold 30" 03=Gold 100" 04=Gold 150" 05=Gold 200" 11=Matte Tin 12=Plating tin

端子材质 B=Brass P=Phone Bronze E=镀铜

06=Gold 0.80" 07=Gold 15" 08=Gold 50" 09=Gold XX" 10=Gold 管脚" 51=Gold/Tin 52=Gold 30"/Tin 53=Gold 100"/Tin 54=Gold 150"/Tin 55=Gold 200"/Tin XX>Select Plating



SECT. "A-A"

备注:

1. 材质: C2680, 料厚: 0.30±0.01mm;
2. 电镀: 50u"镍底, 镀雾锡100u"。

GENERAL TOLERANCE	ANGLE TOLERANCE	DESIGN DATE	FILE NAME (品名)	
X. ±0.4	X' ±10°	Jock 2020.10.23		
.X ±0.30	.X' ±5°	CHECK DATE	PART NO (料号)	
.XX ±0.20	.XX' ±1°	APPRO. DATE		
.XXX ±	.XXX' ±	A4	DRAWING NO (图号)	REV. AO
UNIT:mm	SCALE 1:1	SHEET: 1 of 1	AS-TFZ102-286-001	