

World's smallest multispectral sensor with UV and light flicker detection



Features

- Miniature optical module
 - 1.83 x 1.0 x 0.55 mm
 - Optical BGA, 6-balls, reflowable package
 - Operates with phone coverglass on top
- ALS operation with 6 color channels
 - Advanced interferometric filters (UVA, red, green, blue, near IR, and clear) with 6 individual readouts
 - 24-bit ADC
 - Excellent sensitivity down to 0.01 Lux
 - UV-A channel for indoor/outdoor and artificial/natural light discrimination
- Light flicker extraction
 - Innovative readout architecture to extract light characteristic (AC flicker) on top of the ALS value (under patent)
 - From 100 Hz to 2 kHz frequency detection
- Software driver provided by ST
- I2C interface up to 1 Mbit/s (Fast mode plus) with GPIO1 interrupt ball
- Perfectly suited for mobile applications
 - 1.8 V power supply
 - 450 μ A consumption active (5 channels)
 - Operating temperature -30 to 85 °C

Applications

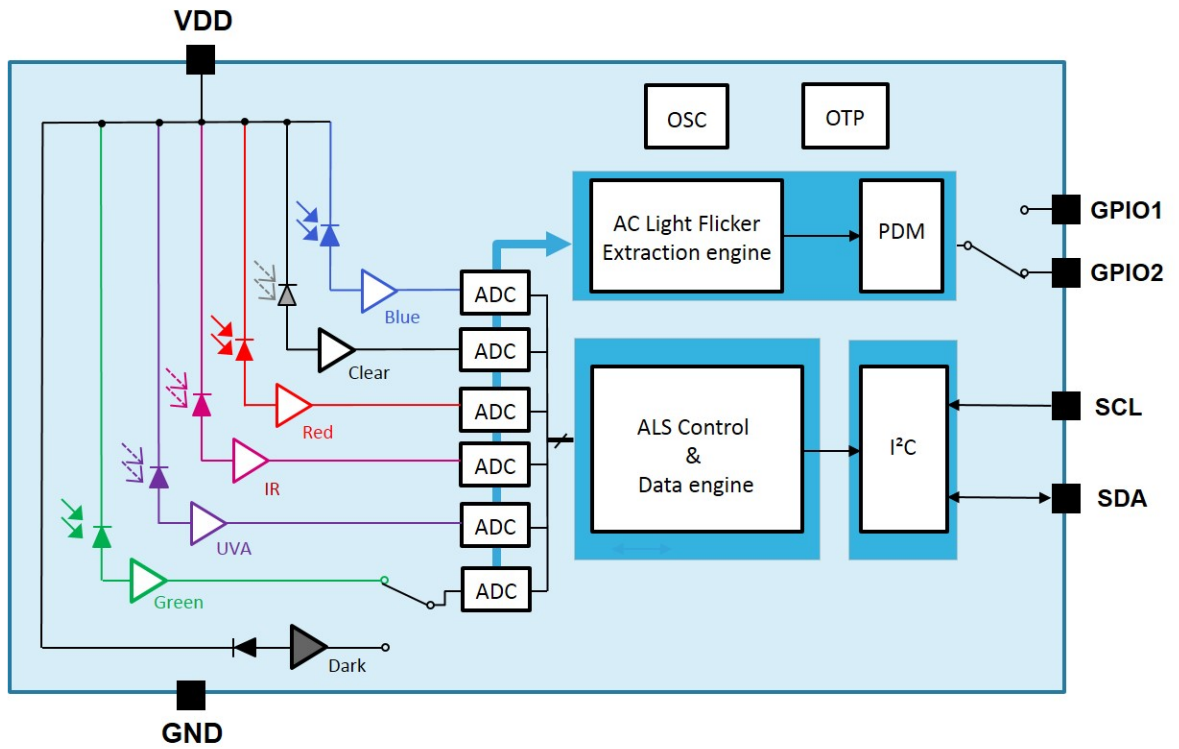
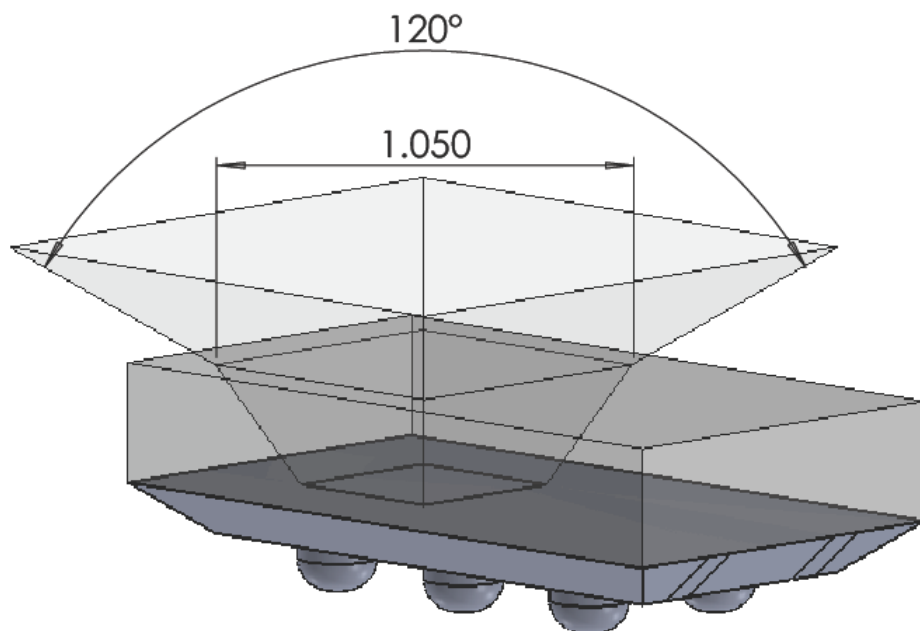
- True tone color-sensing for phone screen or camera white balance assistance
- Lux information
- UV-A information
- Indoor/outdoor information
- Light frequency extraction for flicker correction assistance

Description

The VD6281 (1.83 x 1.0 x 0.55 mm) is the smallest 6-channel, ambient light sensor (ALS) on the market. Light measurement is fast and accurate thanks to an individual ADC and readout circuitry for each color channel. The VD6281 uses high-end interferometric filters with precise responses to assist camera white-balance in less than 8 ms. The device also employs a UV channel for natural or artificial light detection.

With a patented architecture and a high-performance photodiode design, the VD6281 can extract light flickering frequencies to enhance camera experience and remove banding effects. The VD6281 is the only sensor able to extract different light flicker waveforms including combined lights or contemporary LED sources with square signals.

1 Technical specifications

Figure 1. System block diagram

Figure 2. Outline 3D drawing and maximum field of view


2 Package information

In order to meet environmental requirements, ST offers these devices in different grades of **ECOPACK®** packages, depending on their level of environmental compliance. ECOPACK® specifications, grade definitions and product status are available at: www.st.com. ECOPACK® is an ST trademark.

3 Ordering information

The VD6281 is currently available in the format below. More detailed information is available on request from your STMicroelectronic sales channel.

Table 1. Order codes

| Order code | Package | Description |
|--------------|--------------------------|--------------------------------------|
| VD6281TF46/1 | Optical WLCSP BGA 6-ball | Tape and reel (5000 units in a reel) |

Revision history

Table 2. Document revision history

| Date | Version | Changes |
|-------------|---------|-----------------|
| 07-Feb-2019 | 1 | Initial release |

IMPORTANT NOTICE – PLEASE READ CAREFULLY

STMicroelectronics NV and its subsidiaries (“ST”) reserve the right to make changes, corrections, enhancements, modifications, and improvements to ST products and/or to this document at any time without notice. Purchasers should obtain the latest relevant information on ST products before placing orders. ST products are sold pursuant to ST’s terms and conditions of sale in place at the time of order acknowledgement.

Purchasers are solely responsible for the choice, selection, and use of ST products and ST assumes no liability for application assistance or the design of Purchasers’ products.

No license, express or implied, to any intellectual property right is granted by ST herein.

Resale of ST products with provisions different from the information set forth herein shall void any warranty granted by ST for such product.

ST and the ST logo are trademarks of ST. All other product or service names are the property of their respective owners.

Information in this document supersedes and replaces information previously supplied in any prior versions of this document.

© 2019 STMicroelectronics – All rights reserved