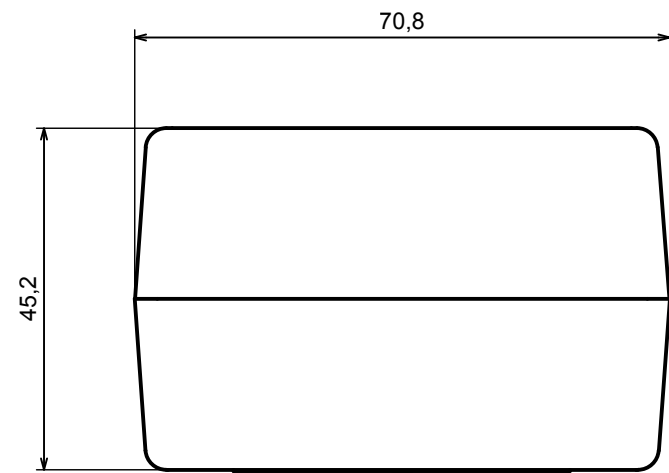
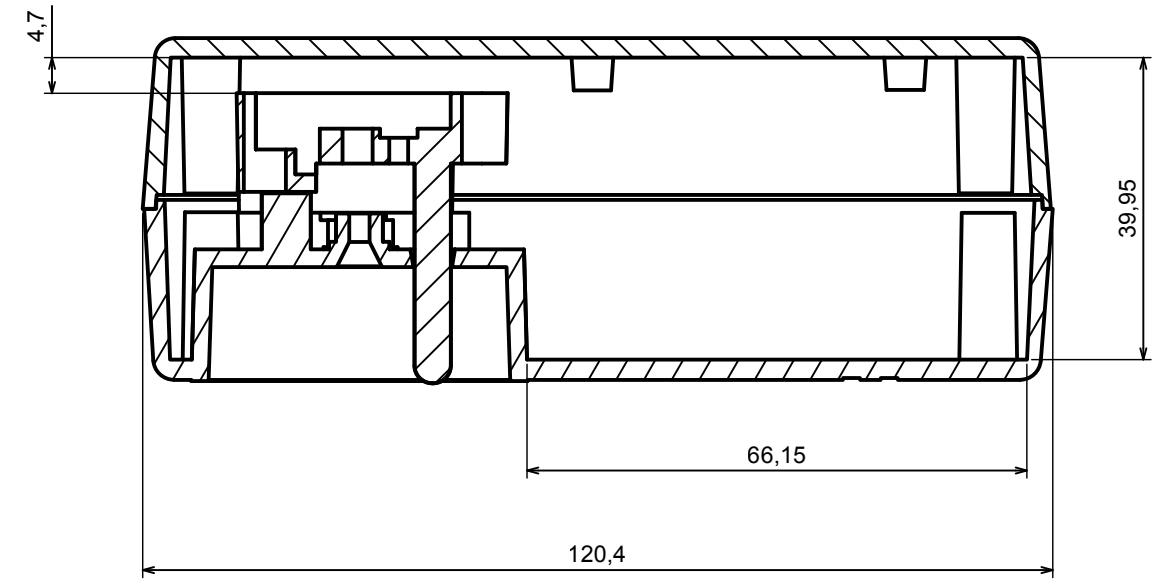



A |

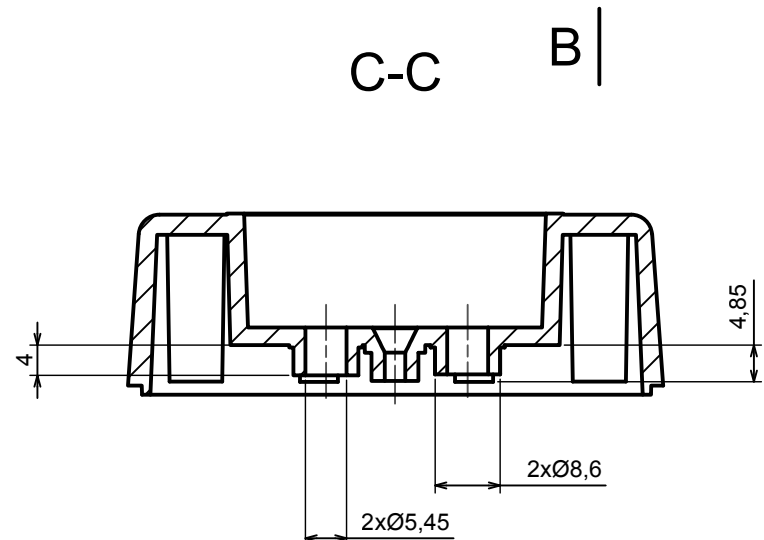
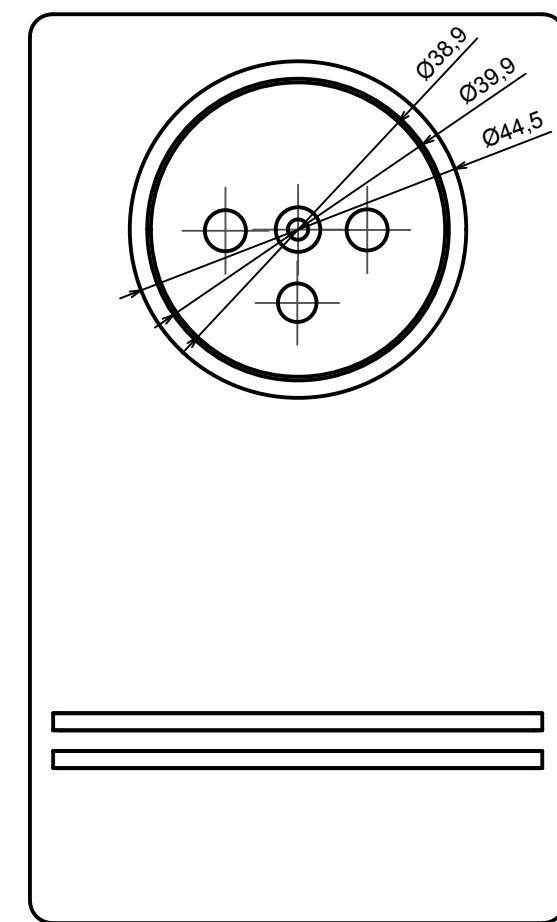
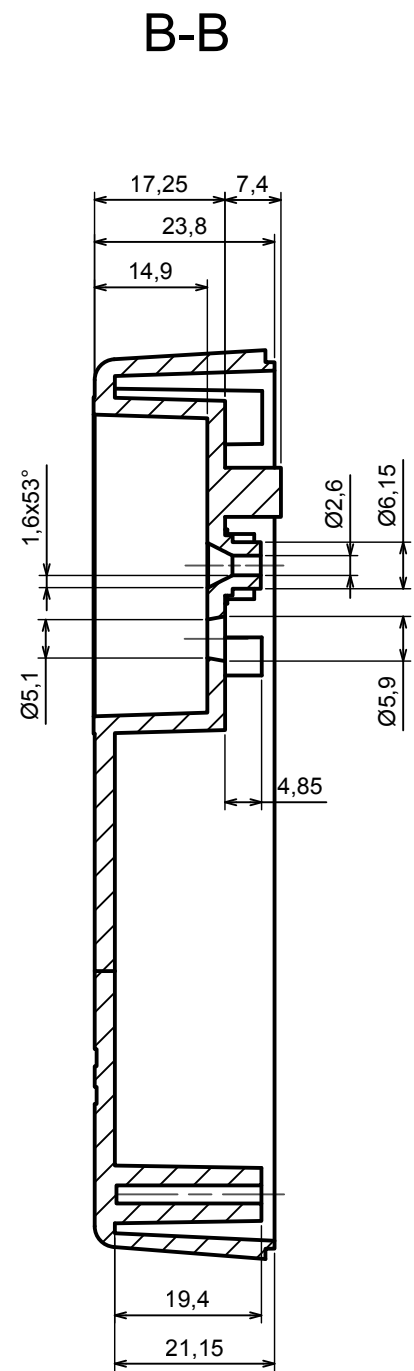
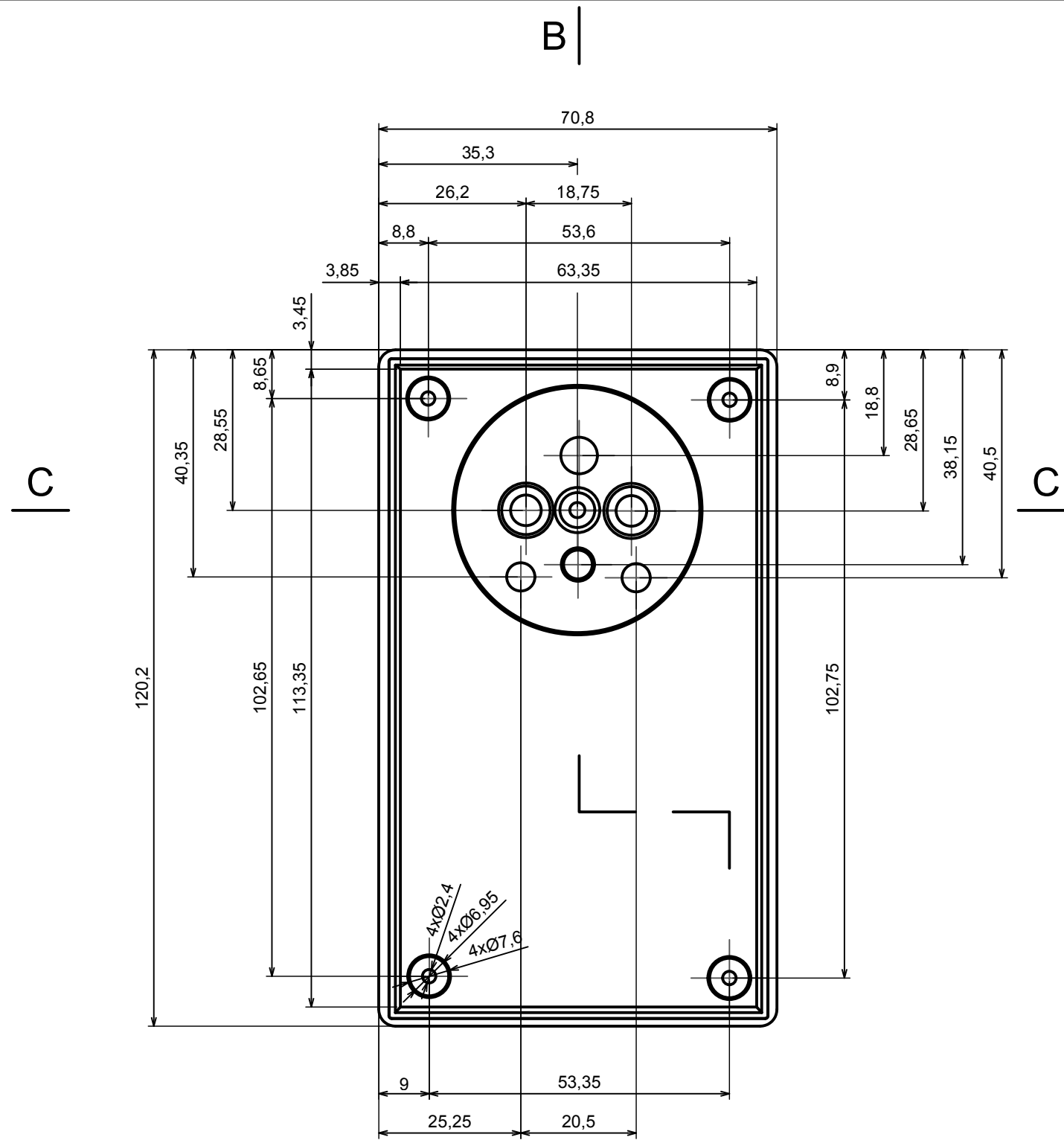



A |

A-A

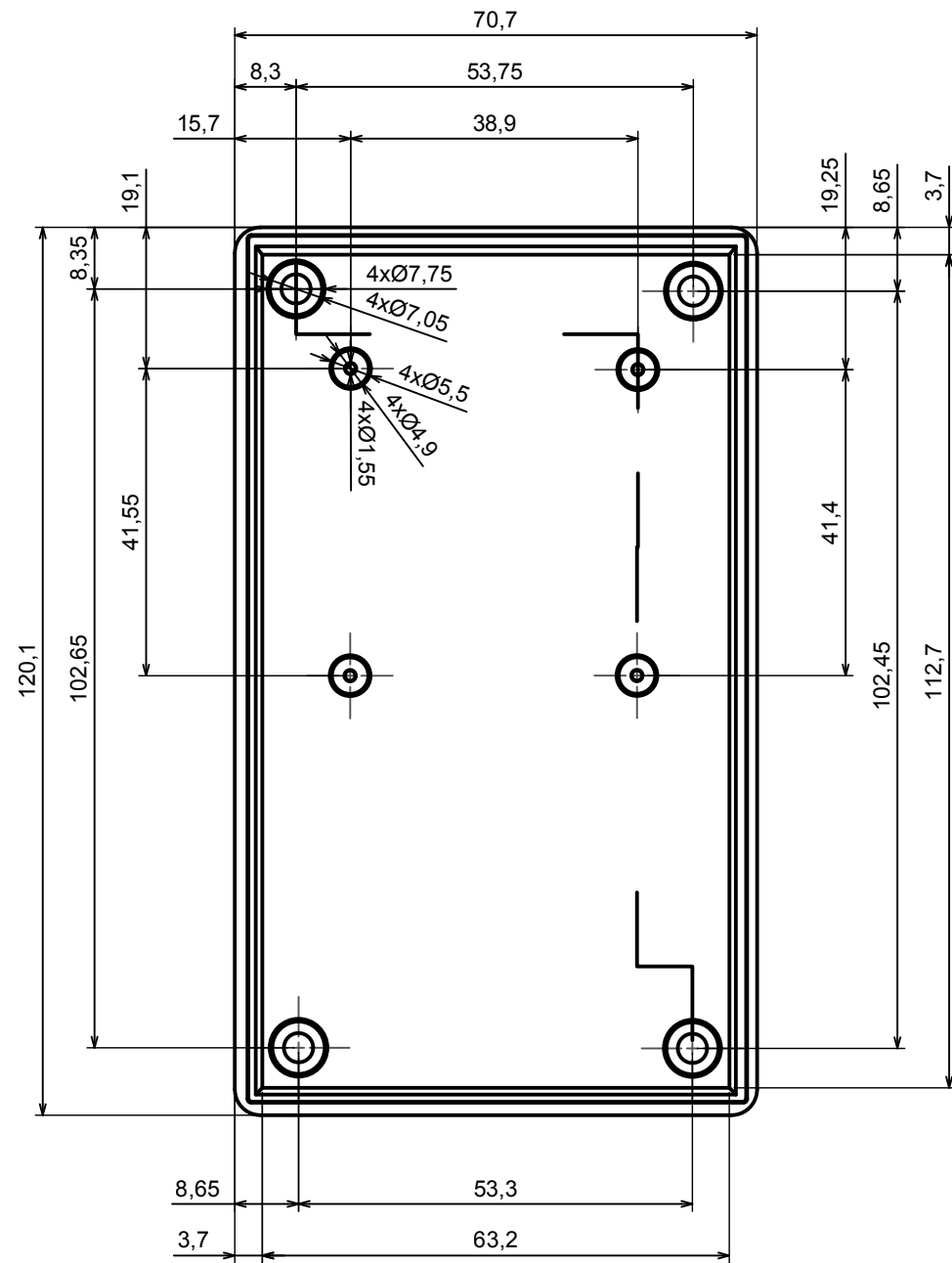


All rights reserved, Copyright Kradex 2018		
Product model	Enclosure Z31 - Assembly	
Format: A3	Material: PS, ABS	
Scale 1:1	Tolerance: +/- 0.5	

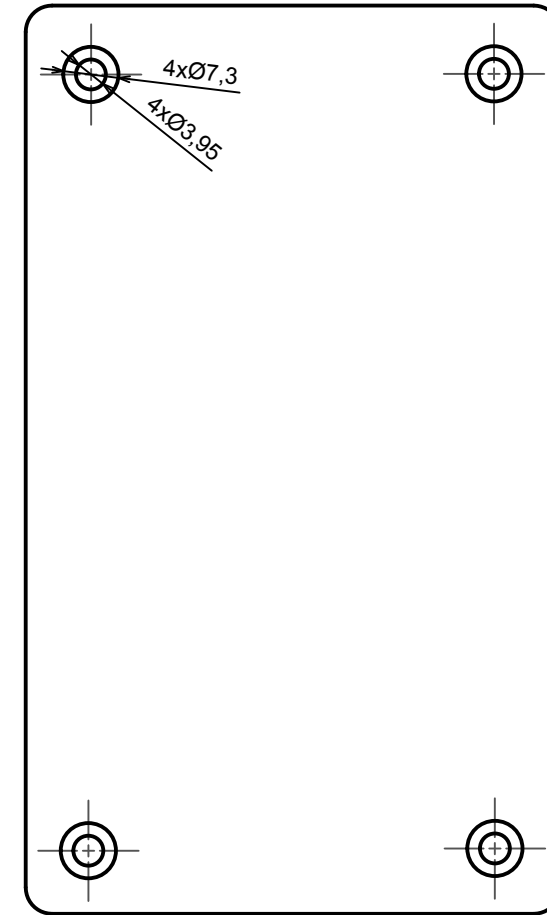
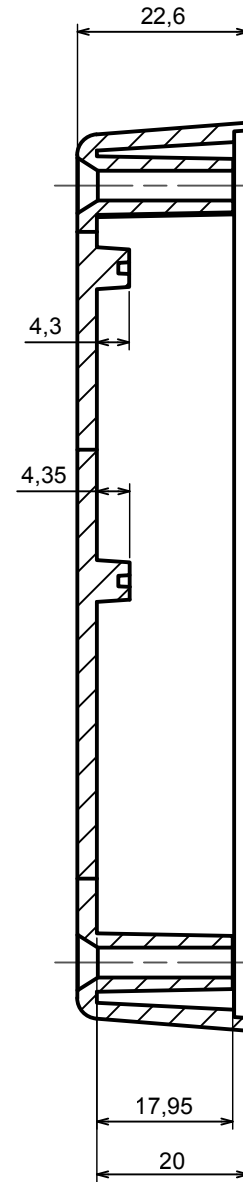


All rights reserved, Copyright Kradex 2018		
Product model	Enclosure Z31 - Base	
Format: A3	Material: PS, ABS	
Scale 1:1	Tolerance: +/- 0.5	

D |



D-D



D |

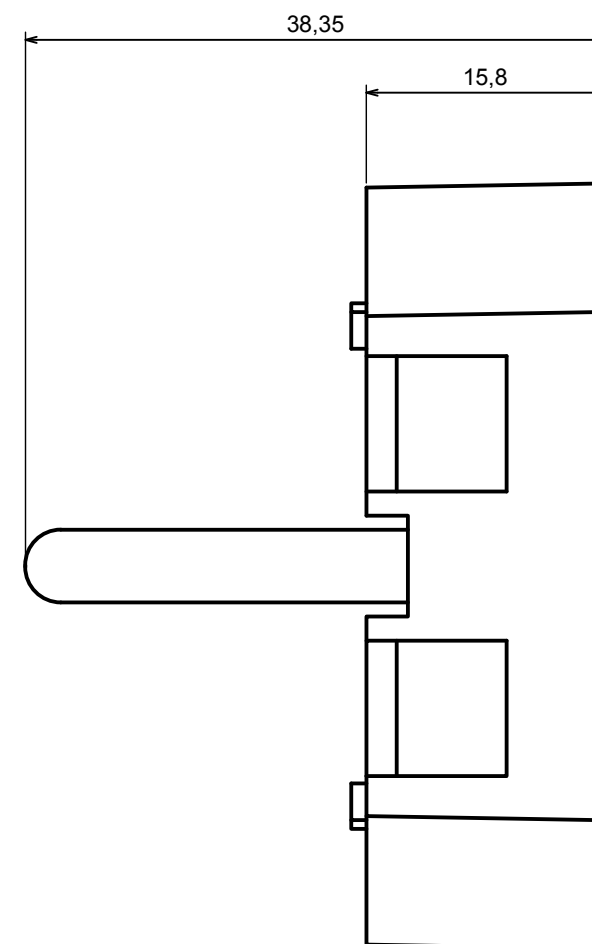
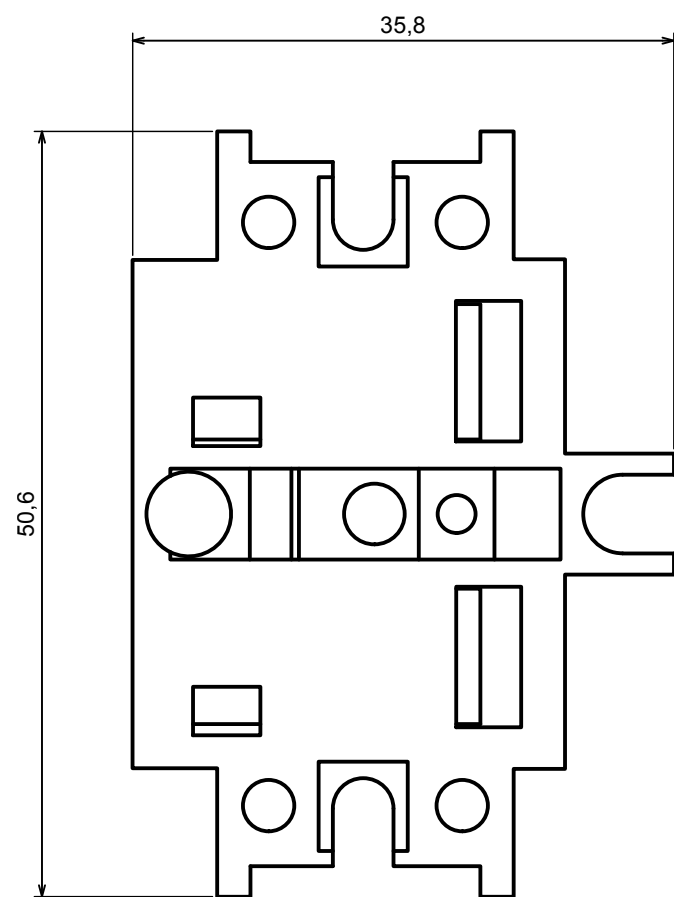
All rights reserved, Copyright Kradex 2018

Product model: Enclosure Z31 - Cover


Format: A3 | Material: PS, ABS

Scale 1:1 | Tolerance: +/- 0.5





Uwaga - Element firmy Ospel

All rights reserved, Copyright Kradox 2018		
Product model	Enclosure Z31 - Element firmy Ospel	
Format: A3	Material: PS, ABS	
Scale 2:1	Tolerance: +/- 0.5	