

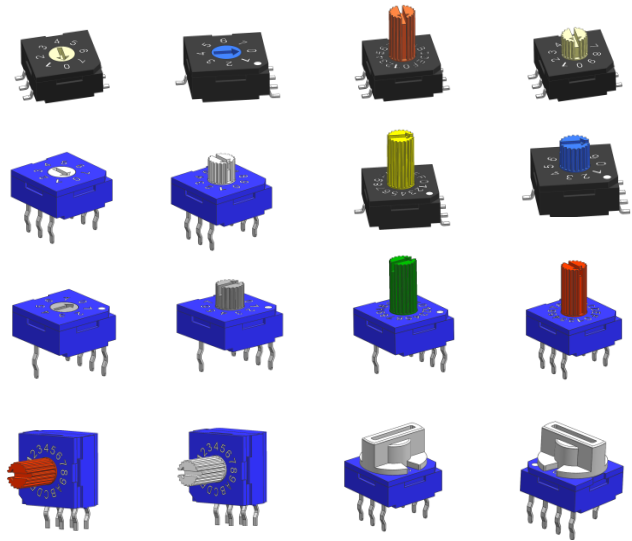


Features

- ◆ Sealed Construction, No Tape Seal Required
- ◆ Surface Mount, Thru-Hole and Right Angle 2.54 & 5.08mm
- ◆ Octal, Decimal and Hexadecimal Code in Real or Complement
- ◆ Gold-Plated Contacts
- ◆ Flush or Extended Rotors
- ◆ Knobs available
- ◆ Washable meet IP67

Specifications

- ◆ Contact Rating
 - Switching : 5VDC 20mA (Min. AC/DC 20mA 1µA)
 - Non Switching : Max. 50VDC 100mA
- ◆ Contact Resistance : 100mΩ Max
- ◆ Insulation Resistance : 1,000MΩ Min. at 100VDC
- ◆ Dielectric Strength : 250VAC for 1 minute
- ◆ Operating Force : 400gf/cm Max. (Standard)
: 200gf/cm Max. (N type)
- ◆ Life : 20,000 Steps
- ◆ Operating Temperature : -40°C ~+85°C
- ◆ Storage Temperature : -40°C ~+85°C
- ◆ Hand Soldering : 350°C 3 Sec. max
- ◆ Wave Soldering : 260±5°C for 10 sec. max.
- ◆ Reflow Soldering : Peak temp.: 245°C max. The time above 240 must be 30 sec. max.



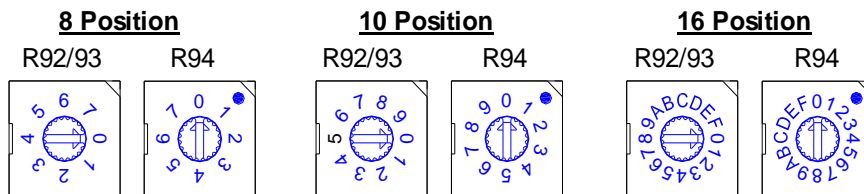
Code Format

| No. of positions | | (10 positions) | | | | | | | | | | (16 positions) | | | | | | |
|------------------|--------------------|----------------|---|---|---|---|---|---|---|---|---|----------------|---|---|---|---|---|---|
| | | (08 positions) | | | | | | | | | | | | | | | | |
| Position | | 0 | 1 | 2 | 3 | 4 | 5 | 6 | 7 | 8 | 9 | A | B | C | D | E | F | |
| Code | Real code | 8 | | | | | | | | | | • | • | • | • | • | • | |
| | | 4 | | | | • | • | • | • | | | | | | • | • | • | • |
| | | 2 | | • | • | | | | | • | • | | | | • | • | | |
| | Complementary code | 8 | • | • | • | • | • | • | • | • | • | | | | | | | |
| | | 4 | • | • | • | • | | | | | • | • | • | • | | | | |
| | | 2 | • | • | | | • | • | | | • | • | | | • | • | | |
| | 1 | • | • | | | • | • | | | • | • | | | • | • | | | |

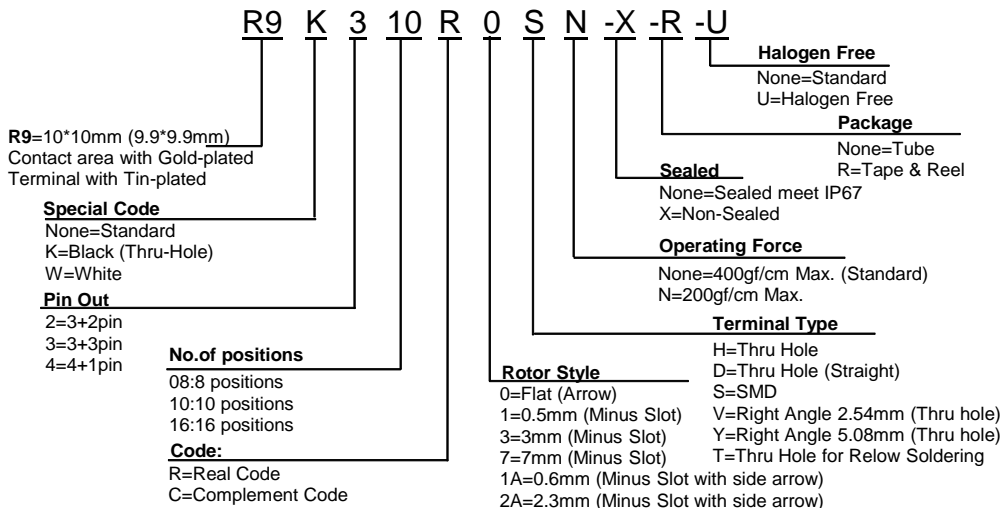
Package

| P/N | No. Of Pole | Quantity per Tube |
|-------------|--------------|-------------------|
| R92_H/D/T/S | 08 / 10 / 16 | 50 |
| R92_V/Y | 08 / 10 / 16 | 45 |
| R93_H/D/T/S | 08 / 10 / 16 | 50 |
| R93_V/Y | 08 / 10 / 16 | 45 |
| R94_H/D/T/S | 08 / 10 / 16 | 50 |
| R94_V | 08 / 10 / 16 | 45 |
| P/N | No. Of Pole | Quantity per Reel |
| R9_0/1S-R | 08 / 10 / 16 | 600 |
| R9_2/3S-R | 08 / 10 / 16 | 350 |
| R9_7S-R | 08 / 10 / 16 | 200 |
| R9_7H/T-R | 08 / 10 / 16 | 140 |

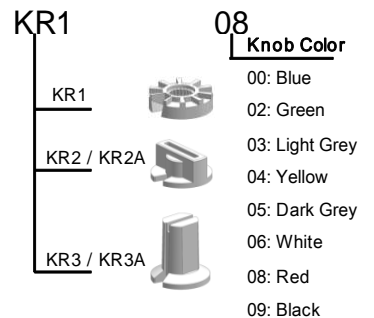
Position



Order Information



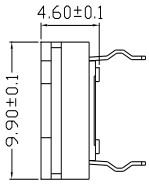
Knob Order Information



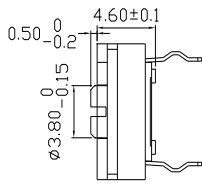


Rotor

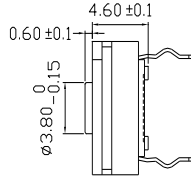
Flat



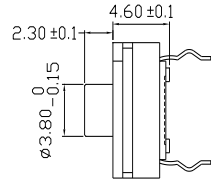
0.5mm



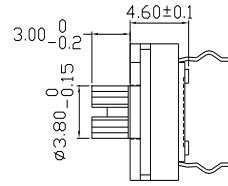
0.6mm



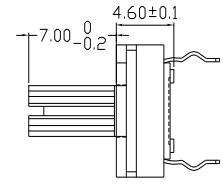
2.3mm



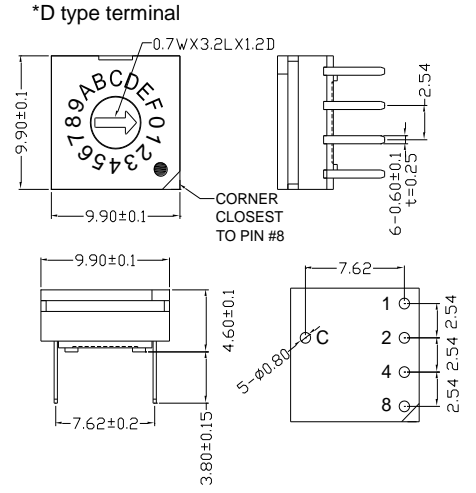
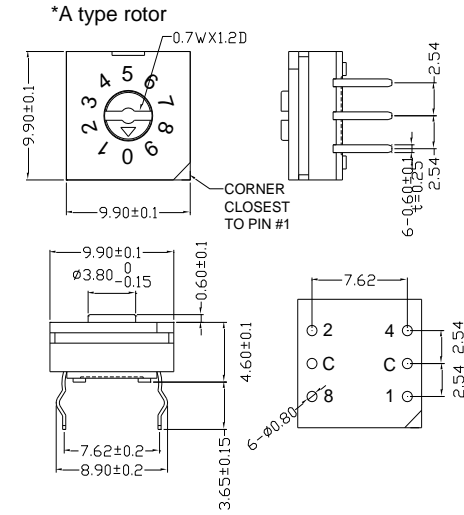
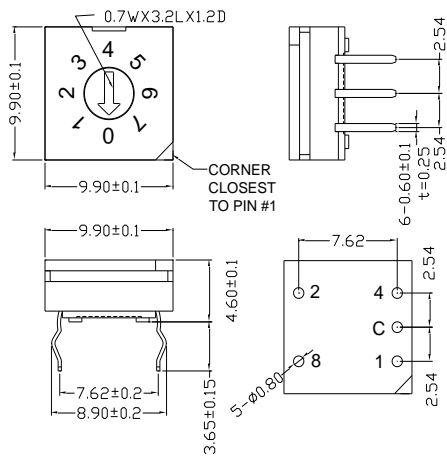
3mm



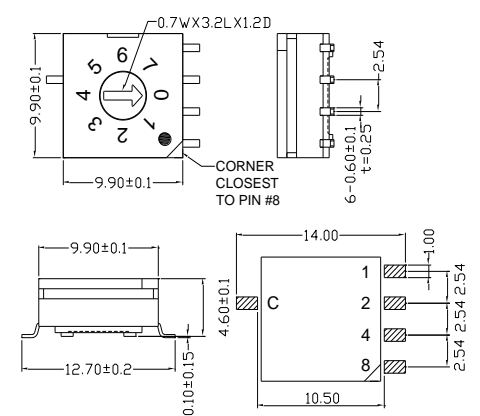
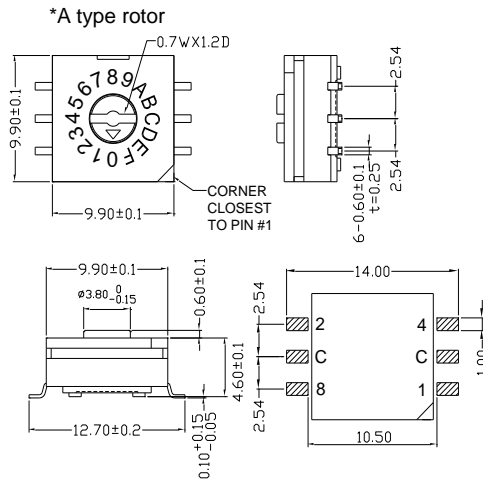
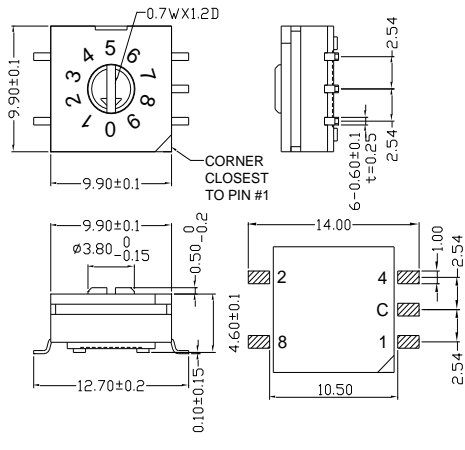
7mm



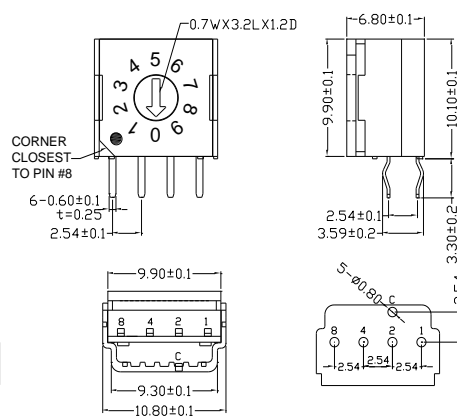
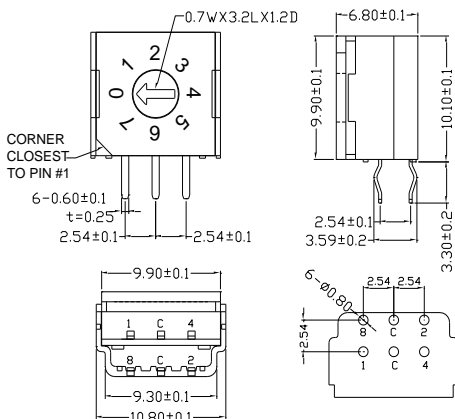
R9 - H/D (Thru-Hole)



R9 - S (SMD)



R9 - V (Right Angle 2.54mm)



R9 - Y (Right Angle 5.08mm)

