

**ELECTRICAL SPECIFICATIONS****1.FREQUENCY**

	<b>Parameter</b>	<b>Min</b>	<b>Typ</b>	<b>MAX</b>	<b>Unite</b>	<b>Test Condition</b>
1-1	Nominal Frequency		12.00000		MHz	
1-2	Nominal Frequency Tolerance	-1.5		+1.5		Frequency at 25 oC, 1 hour after reflow
1-3	Frequency stability over temperature	-2.5		+2.5	ppm	Referenced to the frequency at 25°C
1-4	Temperature range	-40		+85	°C	The operating temperature range over which the frequency stability is measured
1-5	Supply voltage stability	-0.2		+0.2	ppm	Supply voltage varied $\pm 5\%$ at 25 oC
1-6	Load sensitivity	-0.2		+0.2	ppm	$\pm 10\%$ load change
1-7	Aging	-1.0		+1.0	ppm	First year at 25 oC

**2.Power Supply**

	<b>Parameter</b>	<b>Min</b>	<b>Typ</b>	<b>MAX</b>	<b>Unite</b>	<b>Test Condition</b>
2-1	Supply voltage	3.14	3.3	3.465	V	
2-2	Supply Current			2.0	mA	At maximum supply voltage

## SMD 7.0\*5.0mm 4 Pads TCXO

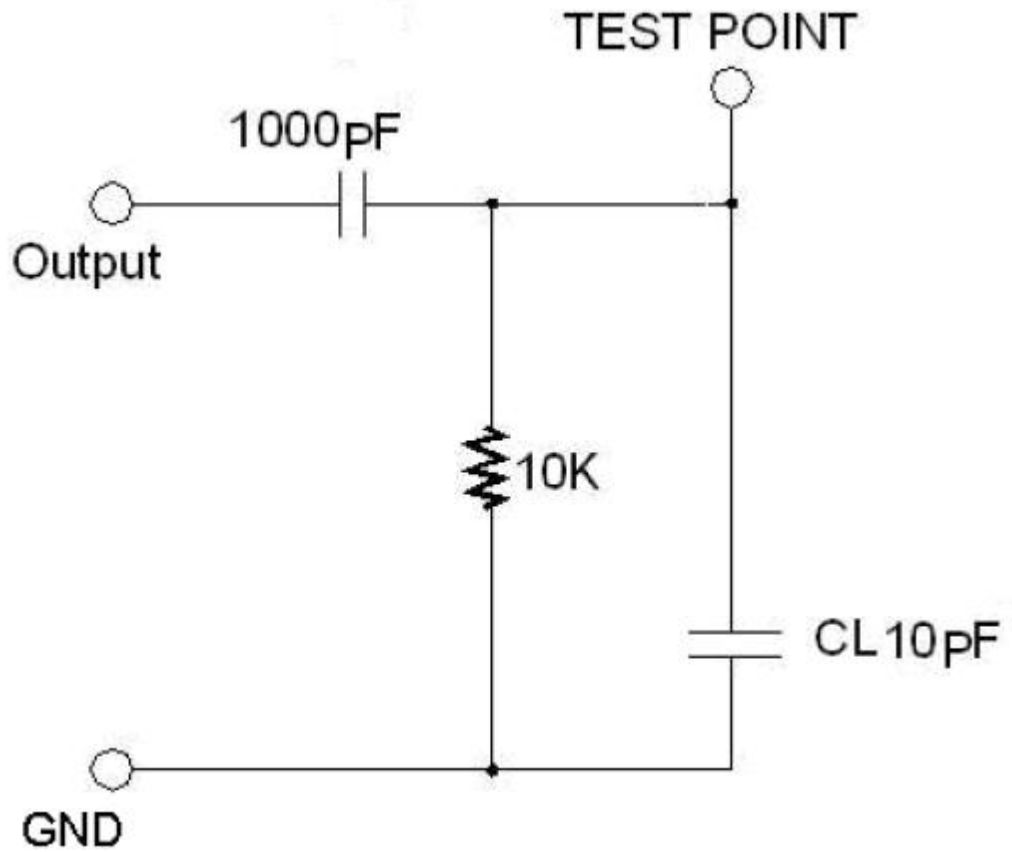
### 3.OSCILLATOR OUTPUT

	Parameter	Min	Typ	MAX	Unite	Test Condition
3-1	Output waveform	Clipped sine wave				DC Coupled clipped sine wave
3-2	Output voltage level	0.8		1.1	Vp-p	
3-3	Output load	10Kohm // 10pF				
3-4	Start time			2	ms	

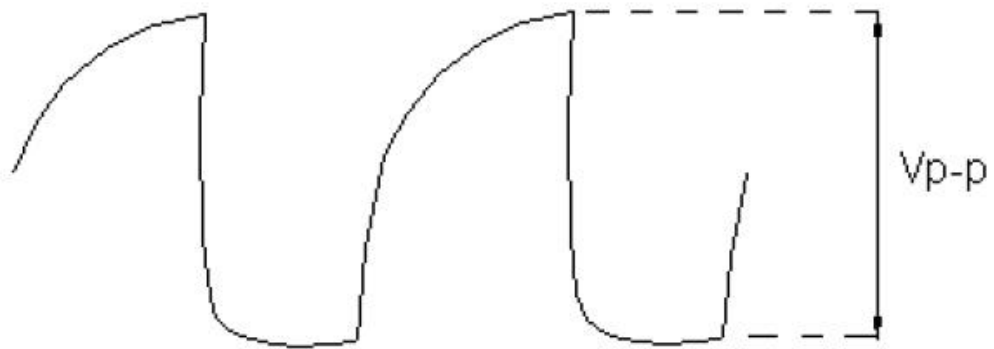
### 6.ENVIRONMENTAL

	Parameter	Reference Std.	Test Condition
6-1	Vibration Test	MIL-STD-883 2007 Condition A JESD22-B103 Condition 1	10~2000Hz, 1.52mm, 20g, each axis for 4 hrs
6-2	Thermal Shock	MIL-STD-883 1010 Condition B JESD22-A104 Condition B	-55℃, 125℃;soak time is 10 mins,with total 200 cycles
6-3	Mechanical Shock	MIL-STD-883 2002 Condition B JESD22-B104 Condition B	1500g, half-sine, 0.5ms, each axis for 3 times.
6-4	Storage temperature		-40℃ to +85 ℃

## TEST CIRCUIT



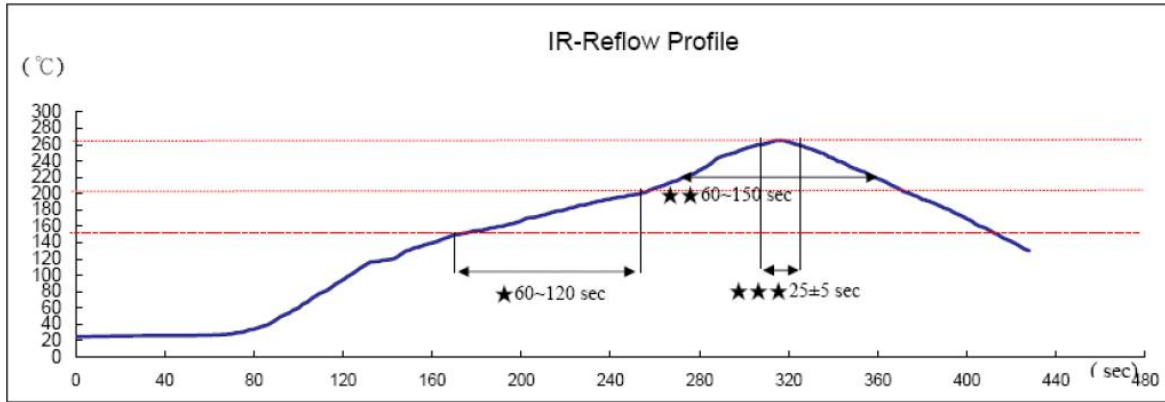
## OUTPUT WAVEFORM



**SMD 7.0\*5.0mm 4 Pads TCXO**

**RECOMMENDED IR REFLOW PROFILE**

**IR REFLOW PROFILE OF CERAMIC SMD PRODUCTS FOR Pb FREE PROCESS**



Reference Standard: JEDEC-STD 020

Test conditions: ★ Pre-heating : 150°C to 200°C, 60~120secs.

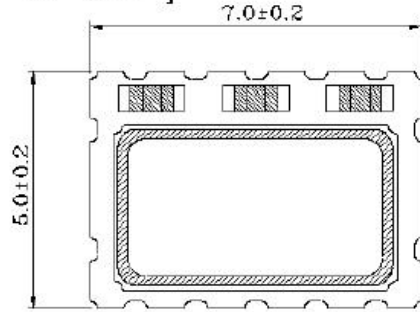
★★ Heating : 217°C, 60~150sec.

★★★ Peak temperature : 260±5°C, 25±5sec.

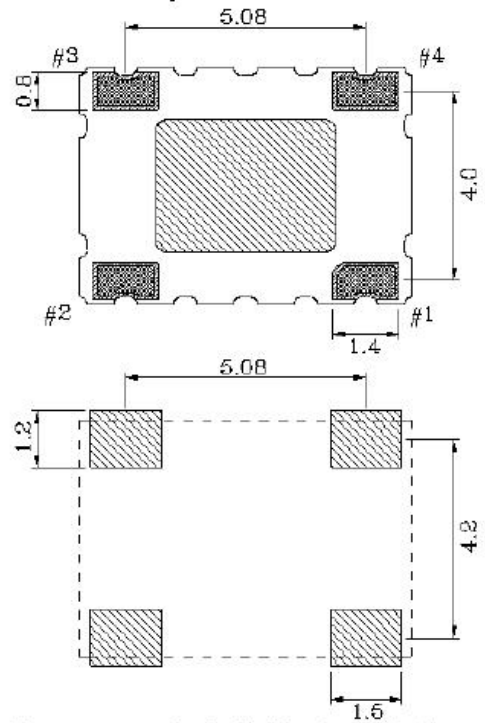
**SMD 7.0\*5.0mm 4 Pads TCXO**

**PRODUCT DIMENSIONS**

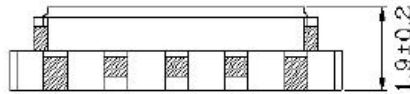
[ TOP VIEW ]



[ BOTTOM VIEW ]



[ SIDE VIEW ]



Recommended Soldering Pattern

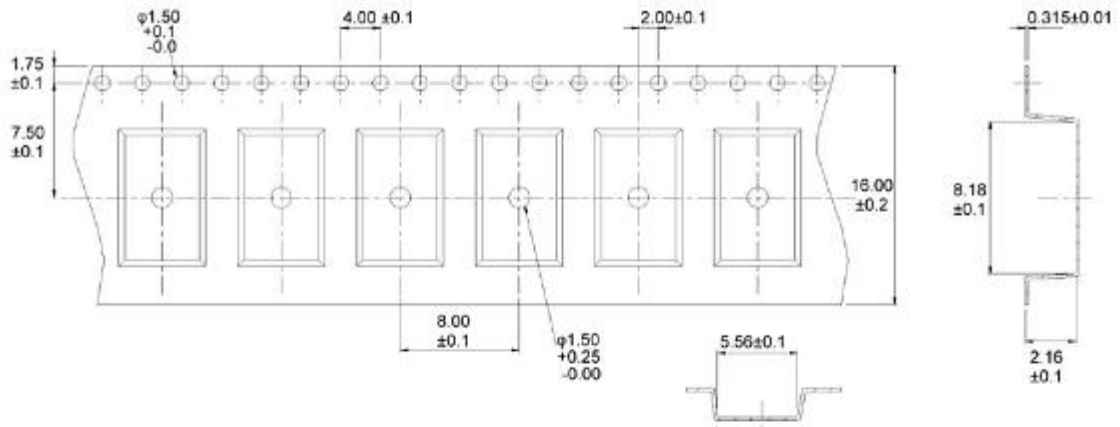
**PIN FUNCTIONS**

Pin	Function
#1	GND
#2	GND
#3	Output
#4	VDD

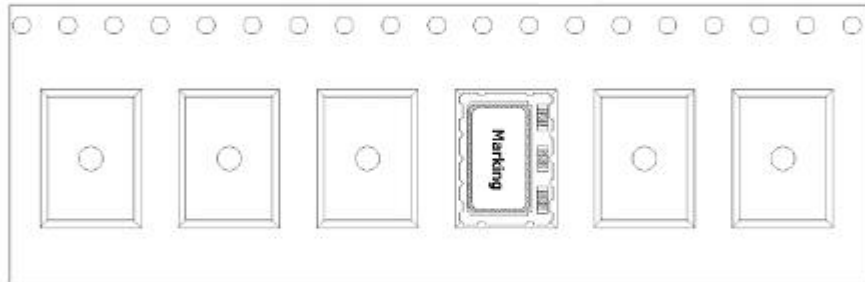
SMD 7.0\*5.0mm 4 Pads TCXO

# PACKAGE INFORMATION

➤ TAPE (CARRIER) DIMENSIONS



➤ THE DIRECTION OF PACKING



➤ REEL DIMENSIONS

