

# **CM0 Evaluation Board**

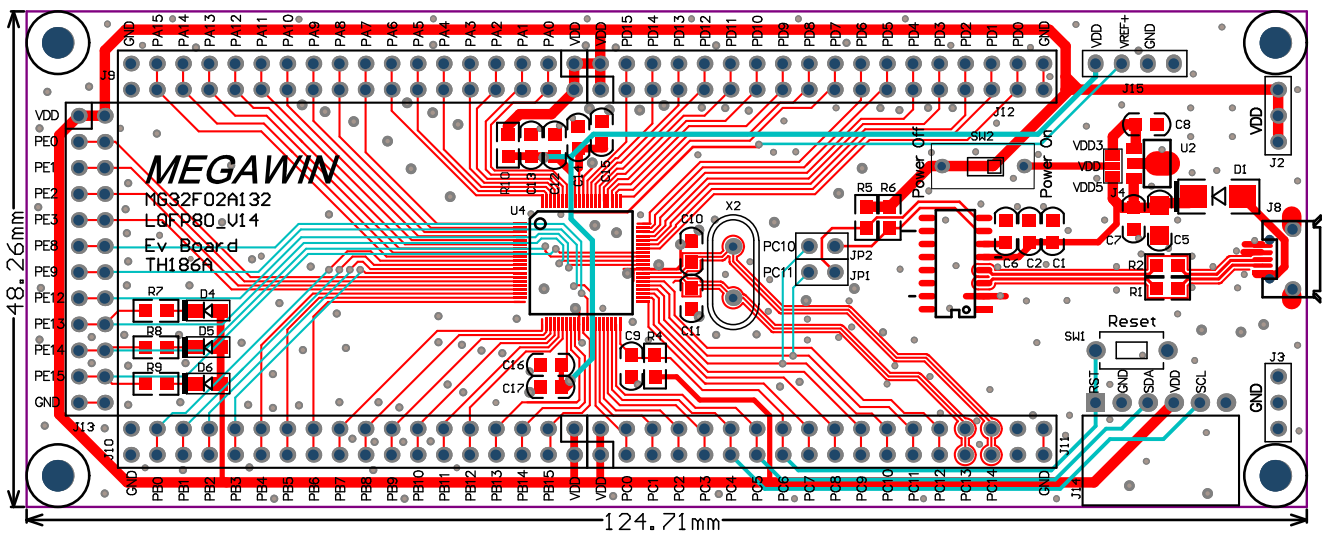
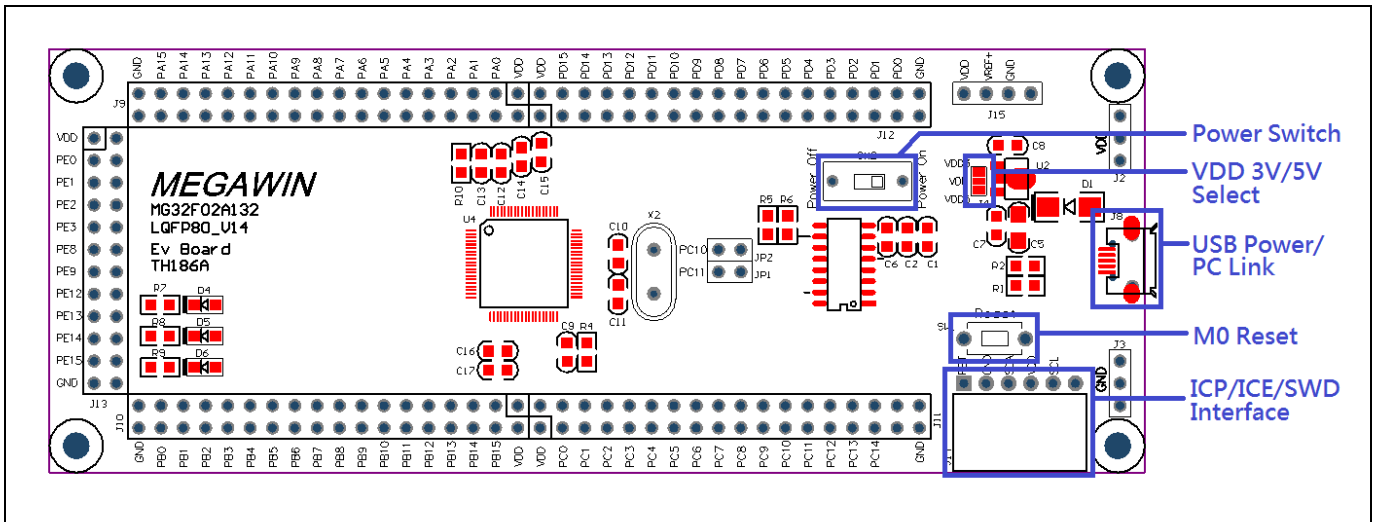
## **Explanation Manual**

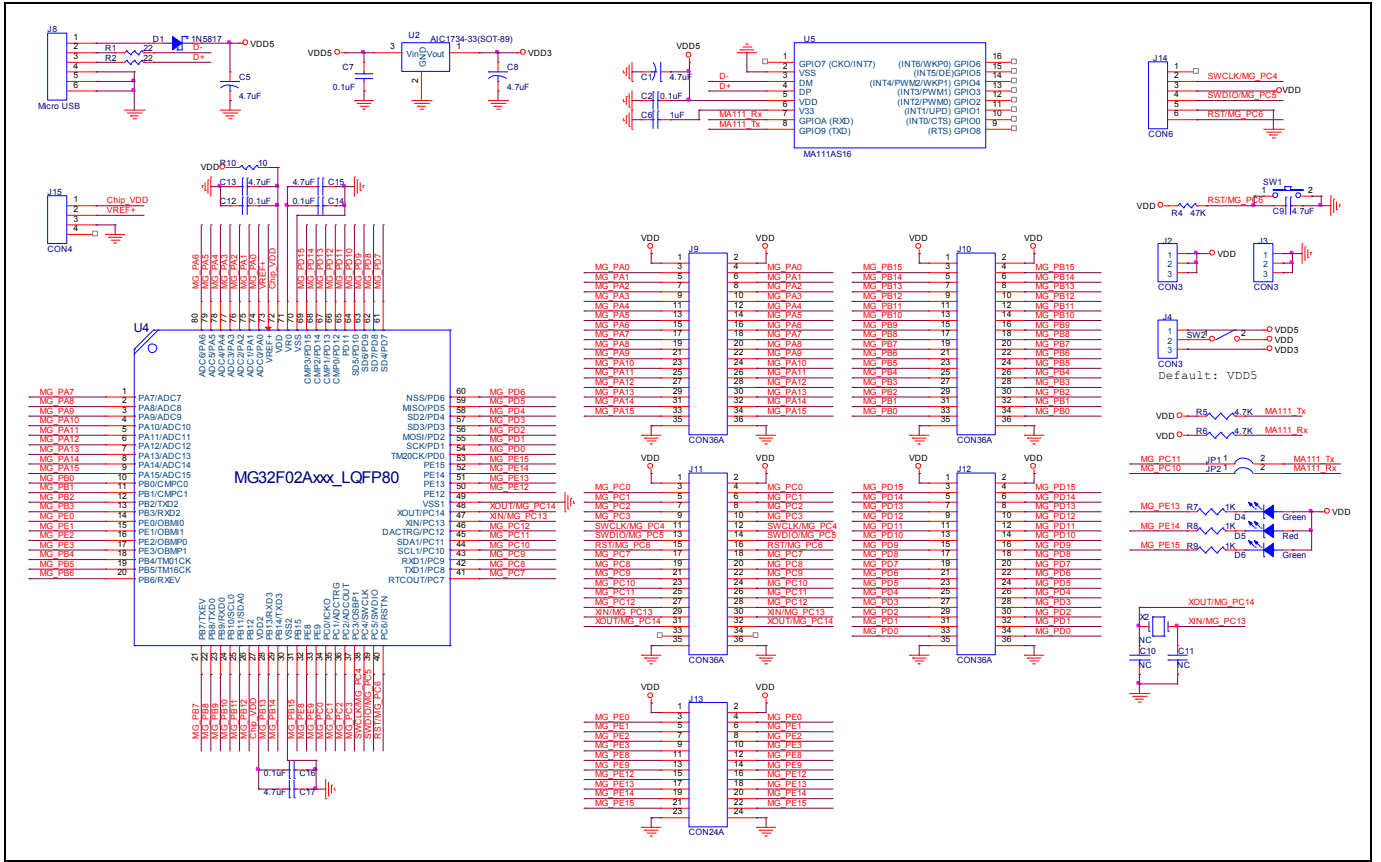
## Contents

1	MG32F02Axxx Series .....	3
1-1	MG32F02A132/072 .....	3
1-2	MG32F02A032 .....	5
	Revision History .....	8

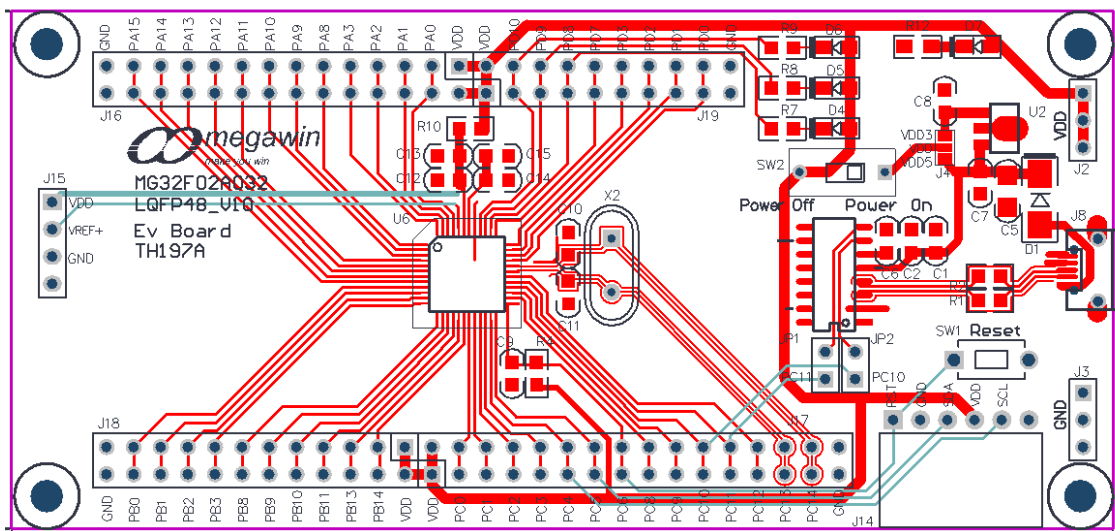
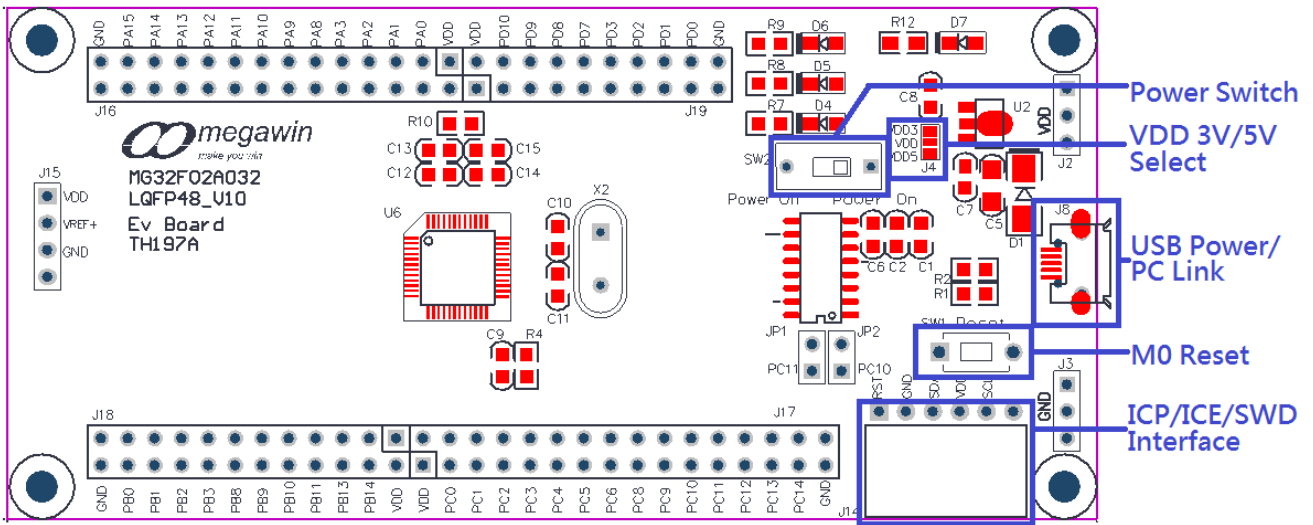
## 1 MG32F02Axxx Series

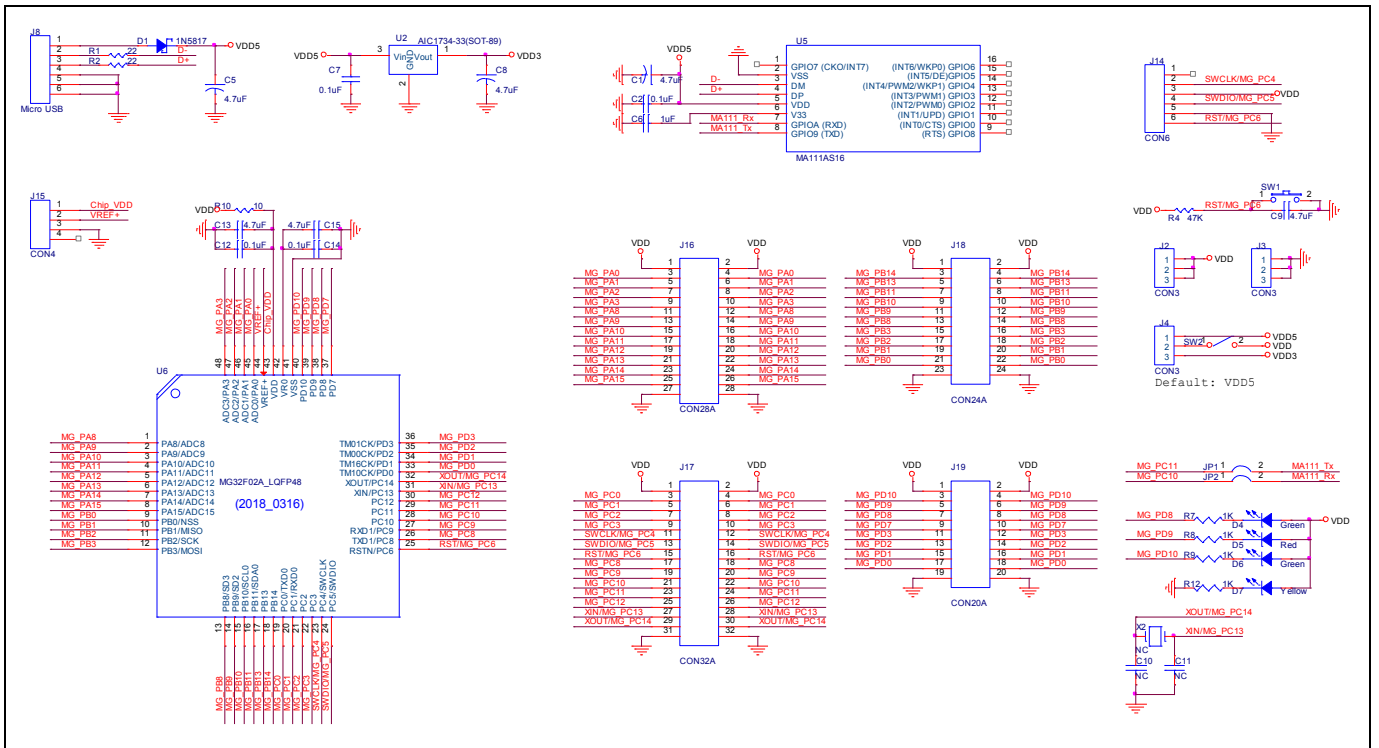
### 1-1 MG32F02A132/072

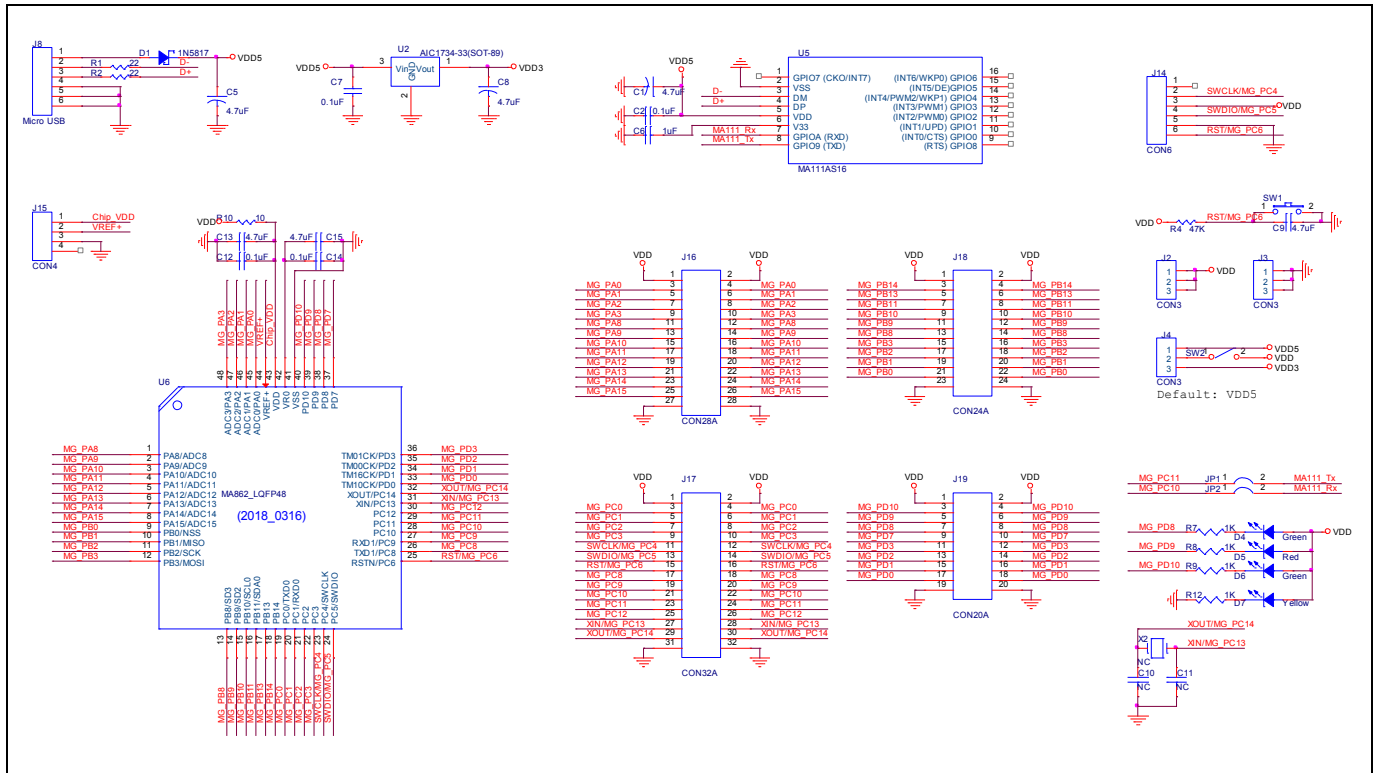




## 1-2 MG32F02A032







## Revision History

Revision	Description	Date
V1.00	(1) New Create.	2017/12/11
V1.01	(1) Replace figure.	2018/02/02
V1.02	(1) Replace figure.	2018/04/20
V1.03	(1) Replace figure.	2019/04/17