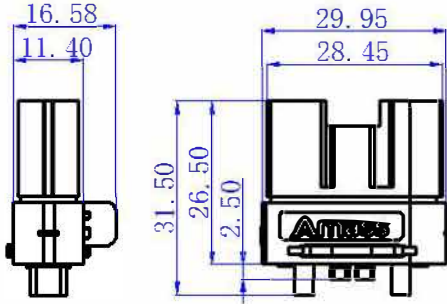


AMASS

(Item No): AS120-F

(Drawing)



(Material & Parameter)

Item No.	A	CR	$\leq 0.4 \text{ m}\Omega$ $\leq 2 \text{ m}\Omega$
COLOR	3		DC 80
Metal Material	Brass Gold Plated PA6 GF25	RC	60A
Plastic Material	V0	MC	120A
FR LEVEL	UL94 V0	USE TIMES	1000 TIMES
Recommend USE	BATTERY	Cable SPEC.	10AWG,
(10AWG) TEMPERATURE RISE	60A 80°C (30min) 120A 85°C (1min)	(12AWG) TEMPERATURE RISE	/
CERTIFICATION	CE/UL	Insertion Force	40N-65N AS120-M
SELECTION	DC:0-22.5V (5.6 Ω) DC:22.5-48V (8.2 Ω)	TEMPERATURE	-20°C to 120°C

★(Data sheet will change according with the test background)