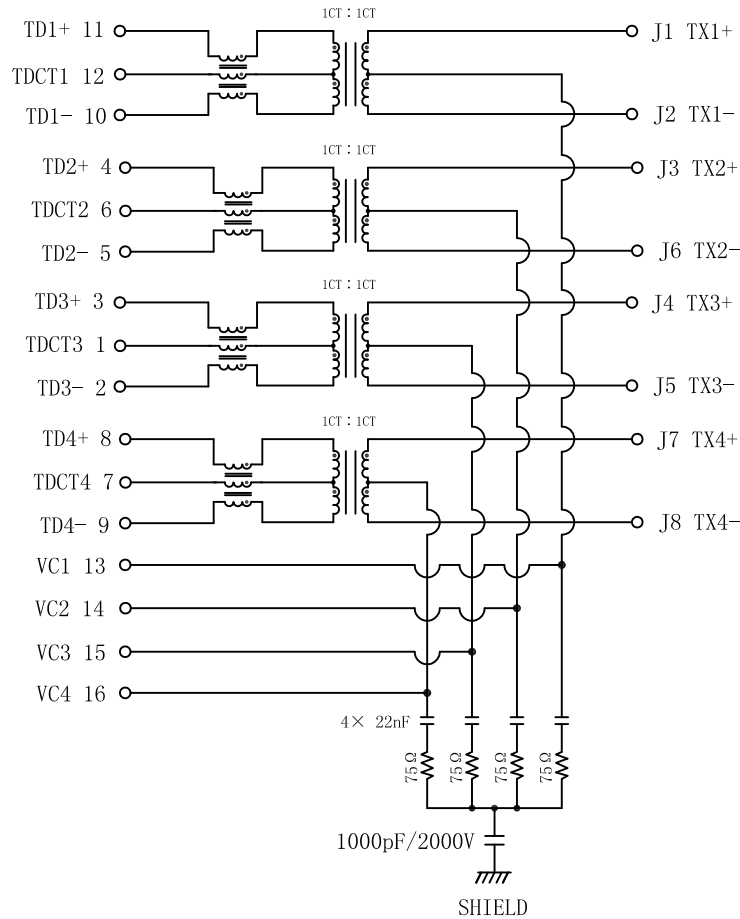


Schematic:

REV.	ECN NO.	DESCRIPTION	DATE	APPD
A	REL		2021-07-02	

PC BOARD CONNECTIONS

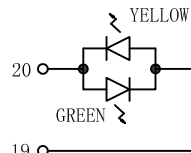


RJ45 CONNECTOR

ELECTRICAL SPECIFICATIONS @25°C

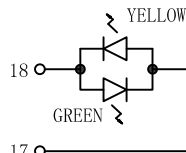
- Turn Ratio($\pm 2\%$):
Pri:Sec = 1CT:1CT
- Inductance OCL:
160uH MIN @100KHz 0.1V 8mADC Bias.
- Insertion Loss:
-0.5dB MAX @1-50MHz
-1.0dB MAX @50-125MHz
-2.0dB MAX @125-300MHz
- Return Loss:
-16dB MIN @1-40MHz
-16+10LOG₁₀(f/40MHz) dB MIN @40-250MHz
- Cross talk:
-30dB MIN @1-125MHz
-25dB MIN @125-200MHz
-25dB MIN @200-300MHz
- Common Mode Rejection Ratio:
-30dB MIN @30-200MHz
- Balance DC Line current:
720mA MAX @57VDC Continuous;
1.2A MAX @57VDC For 200 Milliseconds.
- Hipot Test: 1500Vrms
- Operating Temperature Range: 0°C to 70°C.

Emitting Color	λ_p (nm)	V _F @I _F =20mA	I _R @V _R =5V
GREEN	565	1.8~2.6V	10 μ A max
YELLOW	585	1.8~2.6V	10 μ A max



LEFT LED

LED POLARITY		COLOR
PIN 20	PIN 19	
+	-	GREEN
-	+	YELLOW



RIGHT LED

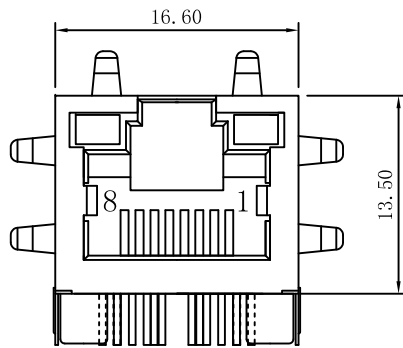
LED POLARITY		COLOR
PIN 18	PIN 17	
+	-	GREEN
-	+	YELLOW



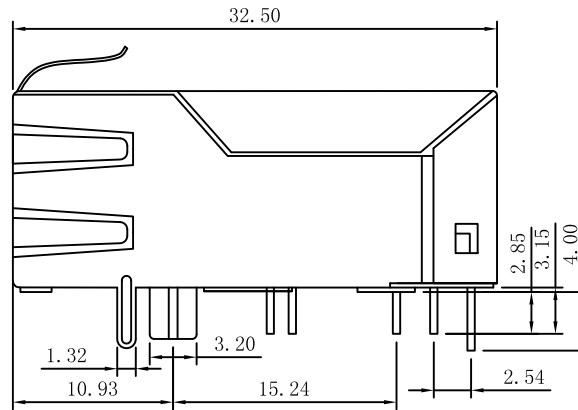
X:X	± 0.30	APPD:	LINK-PP INT'L TECHNOLOGY CO., LIMITED	
X:XX	± 0.25	CHKD:	TITLE: RJ45 Connector with 5G Base-T Integrated Magnetics For PoE+ Application & 60W	
X:XXX	± 0.05	DR: SEA		
ANGLES	$\pm 1^\circ$	UNIT: mm	PART NO.: LPJK9083A47NL	
	SCALE: 2/1	SHEET: 1/2	REV: A	DWG NO.: LP21070202

Mechanical :

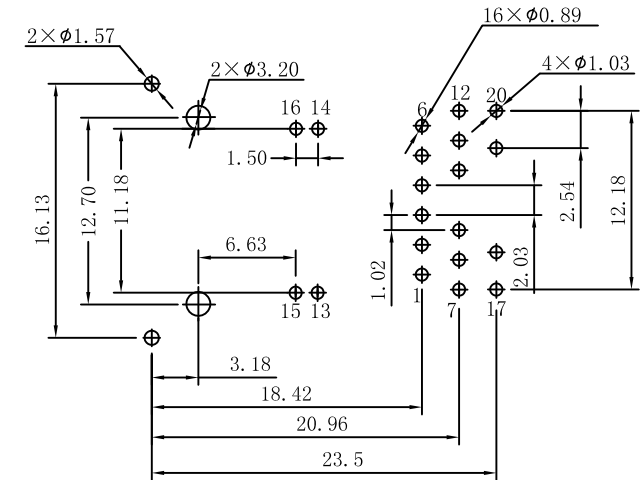
REV.	ECN NO.	DESCRIPTION	DATE	APPD
A	REL		2021-07-02	



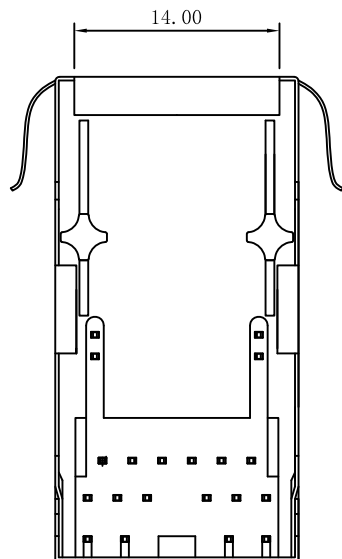
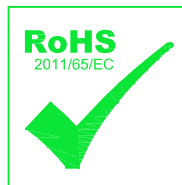
Front Side View



Left Side View



Suggested PCB Layout (Top View)



Bottom Side View



Top Side View

NOTES:

1. Designed to support application, such as SOHO (ADSL modems), LAN-on-Motherboard (LOM), hub and Switches.
2. Meets IEEE 802.3at specification
3. Connector Materials:
Housing: Thermoplastic UL94V-0
Contact/Shield: Copper alloy
Shield plating: Nickel
Contact plating: Gold 6 micro-inches min. In contact area.
4. Wave solder tip temperature: 265°C Max, 5 Sec.
5. UL Certification: File Number E484635.

X:X ±0.30	APPD:	LINK-PP INT'L TECHNOLOGY CO., LIMITED
X:XX ±0.25	CHKD:	
X:XXX ±0.05	DR: SEA	TITLE: RJ45 Connector with 5G Base-T Integrated Magnetics For PoE+ Application & 60W
ANGLES ±1°	UNIT: mm	PART NO.: LPJK9083A47NL
	SCALE: 2/1	SHEET: 2/2
	REV: A	DWG NO.: LP21070202