

SENSOR SWITCH

Item.#	RBS02 Series	Description	ROLL BALL SWITCH	Version	V101.5
Page	1 of 13		Date	August 16, 2012	

● FUNCTIONS

1. Horizontal Tilt Detecting
2. Vertical Rotation Detecting
3. Shock Detecting



● APPLICATIONS

1. Screen Rotation
2. Web Camera
3. Alarm System
4. Iron Position Detecting
5. Bicycle lights flashing
6. Step Counter

● FEATURES

1. Tiny size, suitable for small space.
2. Wing-shaped terminals, a feature enables half body of the sensor switch to be buried into PCB.
3. No electricity consumption during detection status.
4. Gold-plated ball and terminals, low possibility of oxidization.
5. All plastic materials subject to industrial purpose, resist high temperature and meet fireproof function.
6. Simple ON and OFF signals, easy for design.
7. RoHS compliance, an ideal substitute for mercury switch.
8. A more economical tilt and rotation detection option than IC design solution.
9. Switch type:
 Normal close - RBS020702、RBS021002、RBS021202。
 Normal open - RBS020402、RBS020602、RBS020802、RBS020902、RBS021102。



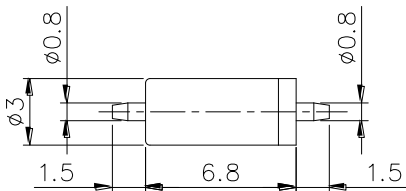
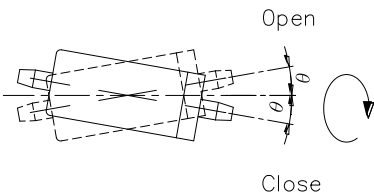
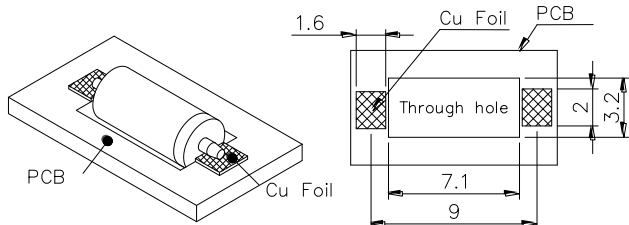
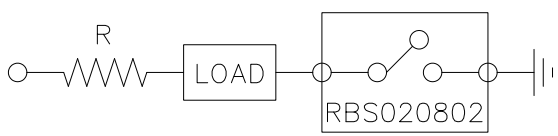
SENSOR SWITCH

Item.#	RBS02 Series	Description	ROLL BALL SWITCH	Version	V101.5
Page	2 of 13		Date	August 16, 2012	

● PATENTS

1. TAIWAN Patent NO. 168028
2. TAIWAN Patent NO. 195196

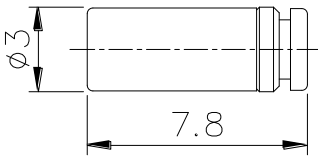
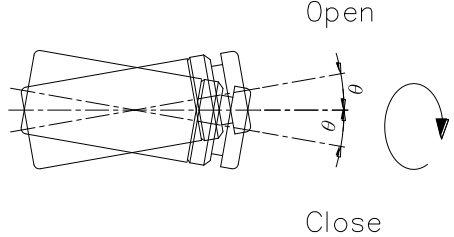
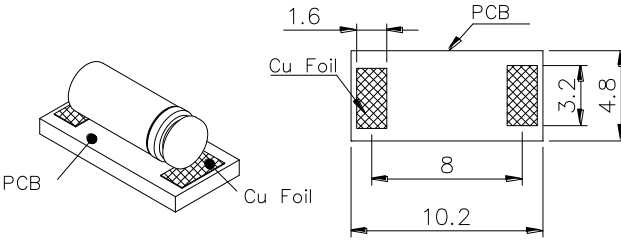
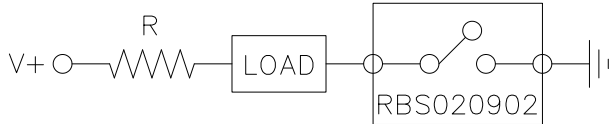
● DIMENSIONS / OPERATION / P.C.B. LAYOUT (Unit: mm, Tolerance: ±0.25mm)

<p>RBS 02 08 02</p>	<p>Triggered Angle Range $\theta > 20^\circ; \theta < -20^\circ$</p>
	
<p>P.C.B. Layout (SMT) / Top View</p>	<p>Application Circuit</p>
	



SENSOR SWITCH

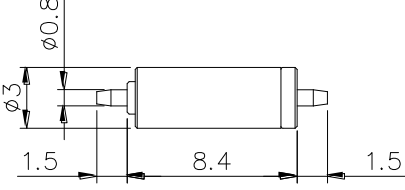
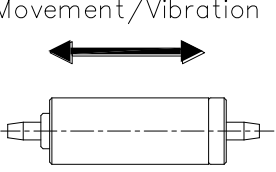
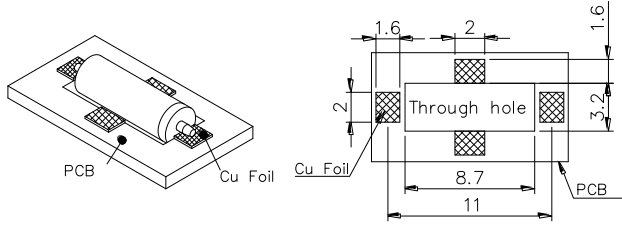
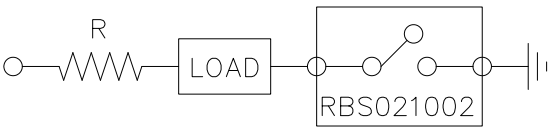
Item.#	RBS02 Series	Description	ROLL BALL SWITCH	Version	V101.5
Page	3 of 13		Date	August 16, 2012	

<p>RBS 02 09 02</p>	<p>uncertain degree $\theta < 20^\circ$</p>
	
<p>P.C.B. Layout (SMT) / Top View</p>	<p>Application Circuit</p>
	



SENSOR SWITCH

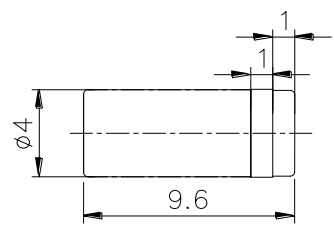
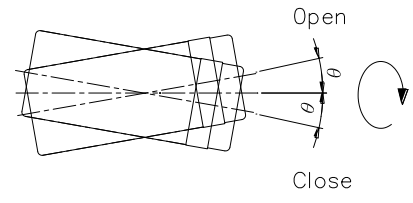
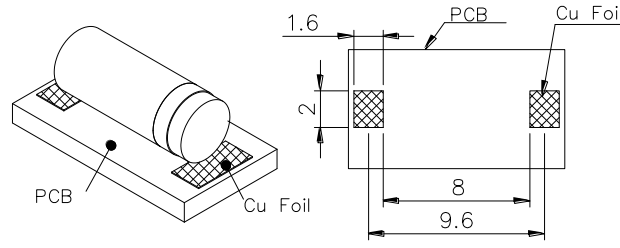
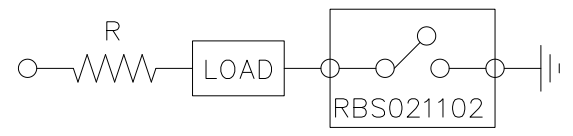
Item.#	RBS02 Series	Description	ROLL BALL SWITCH	Version	V101.5
Page	4 of 13		Date	August 16, 2012	

<p>RBS 02 10 02</p>	<p>Triggered By Vibration</p>
	<p>Movement/Vibration</p> 
<p>P.C.B. Layout (SMT) / Top View</p>	<p>Application Circuit</p>
	



SENSOR SWITCH

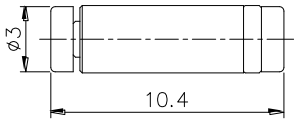
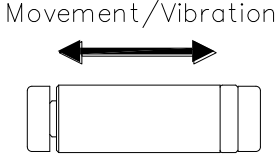
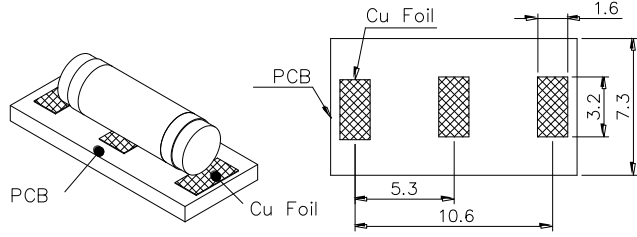
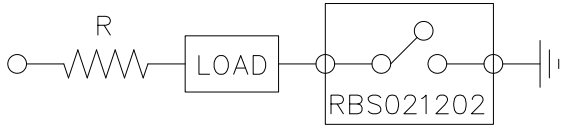
Item.#	RBS02 Series	Description	ROLL BALL SWITCH	Version	V101.5
Page	5 of 13		Date	August 16, 2012	

<p>RBS 02 11 02</p>	<p>Triggered Angle Range $\theta > 10^\circ; \theta < -10^\circ$</p>
	
<p>P.C.B. Layout (SMT) / Top View</p>	<p>Application Circuit</p>
	



SENSOR SWITCH

Item.#	RBS02 Series	Description	ROLL BALL SWITCH	Version	V101.5
Page	6 of 13		Date	August 16, 2012	

<p>RBS 02 12 02</p>	<p>Triggered By Vibration</p>
	<p>Movement/Vibration</p> 
<p>P.C.B. Layout (SMT) / Top View</p>	<p>Application Circuit</p>
	



SENSOR SWITCH

Item.#	RBS02 Series	Description	ROLL BALL SWITCH	Version	V101.5
Page	7 of 13		Date	August 16, 2012	

● Current/Voltage Suggested

Input Current (mA)	Operating Voltage (V)	Condition
10	5	--

● ELECTRICAL CHARACTERISTICS

1.	Contact Rating	10mA, 5VDC
2.	Contact Resistance	10Ω max.
3.	Angle Tolerance	Please see above illustration
4.	Insulation Resistance	50MΩ min. at 100VDC
5.	Dielectric Strength	50VDC min. for 1 minute
6.	Capacitance	5pF max.



SENSOR SWITCH

Item.#	RBS02 Series	Description	ROLL BALL SWITCH	Version	V101.5
Page	8 of 13		Date	August 16, 2012	

● RELIABLE TEST ITEMS

Reliable Test

Test Item	Standard	Contents
Storage Temperature	MIL-STD-202G, TEST METHOD 107G, TEST A	-40°C~85°C
IR Reflow	MIL-STD-202G, TEST METHOD 210F、 IPC/JEDEC J-STD-020D	Peak temp.=255~260°C *3times
Humidity	MIL-STD-202G, TEST METHOD 103B	40°C/95%RH
Operating Temperature	MIL-STD-202G, TEST METHOD 107G, TEST A	-25°C~85°C
Mechanical Life	--	2 Hz horizontal/1,000,000 times
Electrical Life	--	100,000 times
Pull Force of Terminal	--	500 GF · 1 minutes

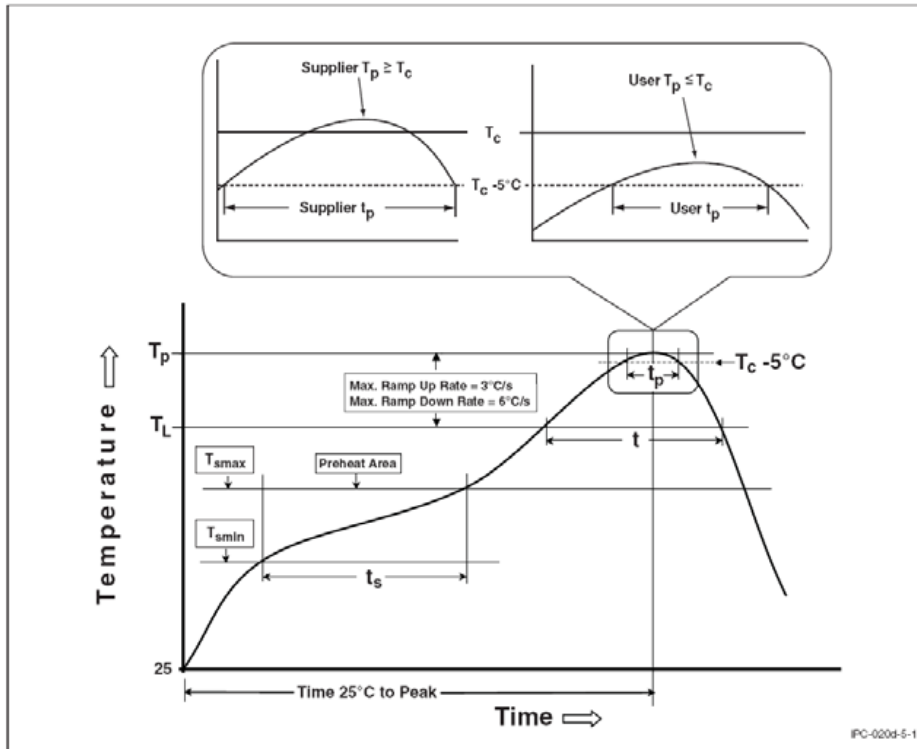


SENSOR SWITCH

Item.#	RBS02 Series	Description	ROLL BALL SWITCH	Version	V101.5
Page	9 of 13		Date	August 16, 2012	

● SOLDERING TEMPERATURE AND DURATION

Following profile is for reference only. Please use solder paste that solder paste manufacturer recommends.



SENSOR SWITCH

Item.#	RBS02 Series	Description	ROLL BALL SWITCH	Version	V101.5
Page	10 of 13		Date	August 16, 2012	

< Table of classification Reflow profile >

Item	Pb process	Pb free process
Pre-heat and Soak Temperature min.(T _{min}) Temperature max.(T _{max}) Time (T _{min} to T _{max})(ts)	100 °C 150 °C 60-120 seconds	150 °C 200 °C 60-120 seconds
Average ram-up Rate (T _{max} to T _p)	3 °C/second max.	3 °C/second max.
Liquidous Temperature (TL) Time at Liquidous (tL)	183 °C 60-150 seconds	217 °C 60-150 seconds
Peak package body Temperature (T _p)*	230 °C ~235 °C *	255 °C ~260 °C *
Classification temperature(T _c)	235 °C	260 °C
Time(tp)** within 5 °C of the specified classification temperature (T _c)	20** seconds	30** seconds
Average ram-down Rate (T _p to T _{max})	6 °C/second max.	6 °C/second max.
Time 25 °C to peak temperature	6 minutes max.	8 minutes max.
* Tolerance for peak profile temperature (T _p) is defined as a supplier minimum and a user maximum. ** Tolerance for time at peak profile temperature (tp) is defined as a supplier minimum and a user maximum.		

● Soldering Temperature and time

Condition Operation Method	Soldering Temperature	Soldering Time
Wave Soldering	260±5°C	<5 sec. Max
Manual Soldering	290±5°C	<5 sec. Max



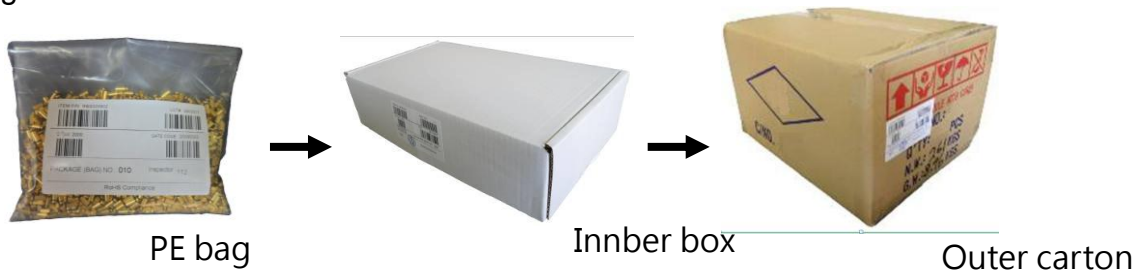
SENSOR SWITCH

Item.#	RBS02 Series	Description	ROLL BALL SWITCH	Version	V101.5
Page	11 of 13		Date	August 16, 2012	

● PACKAGE

	Part Number	Package	Quantity	Total Q'ty	Packing Dimension(mm)
1.	RBS020402 RBS020602 RBS020702 RBS021102	PE Bag	1,000 pcs	1,000 pcs	205L*145W
		Inner Box	10 PE Bag	10,000 pcs	348L*191W*85H
		Carton	3 Boxes	30,000 pcs	364L*278W*213H
2.	RBS020802 RBS020902 RBS021002 RBS021202	PE Bag	2,000 pcs	2,000 pcs	205L*145W
		Inner Box	10 PE Bags	20,000 pcs	348L*191W*85H
		Carton	3 Boxes	60,000 pcs	364L*278W*213H

※ Package shown as below for reference.

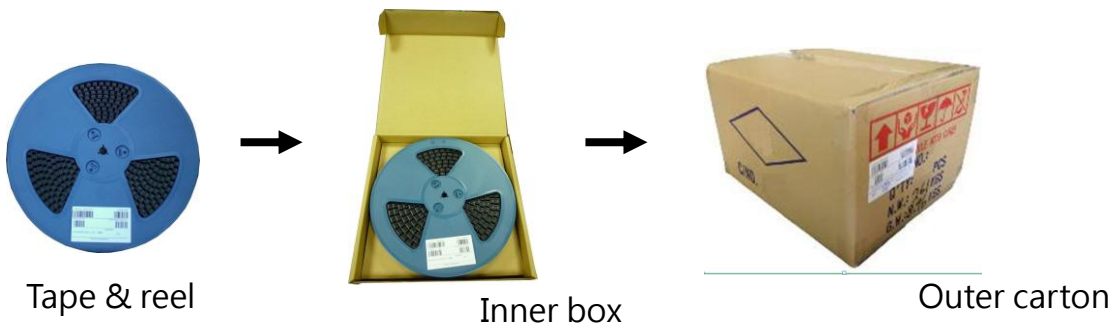


SENSOR SWITCH

Item.#	RBS02 Series	Description	ROLL BALL SWITCH	Version	V101.5
Page	12 of 13		Date	August 16, 2012	

	Part Number	Package	Quantity	Total Q'ty	Packing Dimension(mm)
1.	RBS020402T RBS021002T RBS021102T	Tape & reel	2,000 pcs	2,000 pcs	φ330*25H
		Inner box	2 Reels	4,000 pcs	355L*340W*68H
		Carton	4 Boxes	16,000 pcs	373L*358W*309H
2.	RBS020802T RBS021202T	Tape & reel	2,500 pcs	2,500 pcs	φ330*25H
		Inner box	2 Reels	5,000 pcs	355L*340W*68H
		Carton	4 Boxes	20,000 pcs	373L*358W*309H
3.	RBS020902T	Tape & reel	2,500 pcs	2,500 pcs	φ330*17H
		Inner box	2 Reels	5,000 pcs	355L*340W*68H
		Carton	4 Boxes	20,000 pcs	373L*358W*309H

※ Package shown as below for reference.



SENSOR SWITCH

Item.#	RBS02 Series	Description	ROLL BALL SWITCH	Version	V101.5
Page	13 of 13		Date	August 16, 2012	

● NOTES

1. Suggestion for usage : For vibration usage or application · we suggest to add hysteresis for IC; if vibration is heavy · optical type of sensor switch is recommended.
2. For the continued product improvement as one of the company policy, specifications may change or update without notice. The latest information can be obtained through our sales offices. Normally, all products are supplied under our standard conditions.
3. If buyer's products will stay in power supply for a long time which needs very high stability, optical sensor switch is strongly recommended.

● PRECAUTIONS FOR USE

1. If the products is intended to be used for other endurance equipment requiring higher safety and reliability such as life support system, space and aviation devices, disaster and safety system, it's necessary to make verification of conformity or contact us for the details before using.
2. Do not try to clean the switch with a solvent or similar substance after the soldering process.
3. Use water-soluble flux may damage the switch.
4. If soldering temperature exceeds our specification, sensor switch could get apart.
5. Do not use switch in the environment of high humidity · because such an environment may cause the leakage current between the terminals.
6. More than the rated load may cause fire, so do not use more than the load.
7. In the circuit · switch should not be near or directly connected with the magnetic component solder joints (for example: relays, transformers, etc.).

