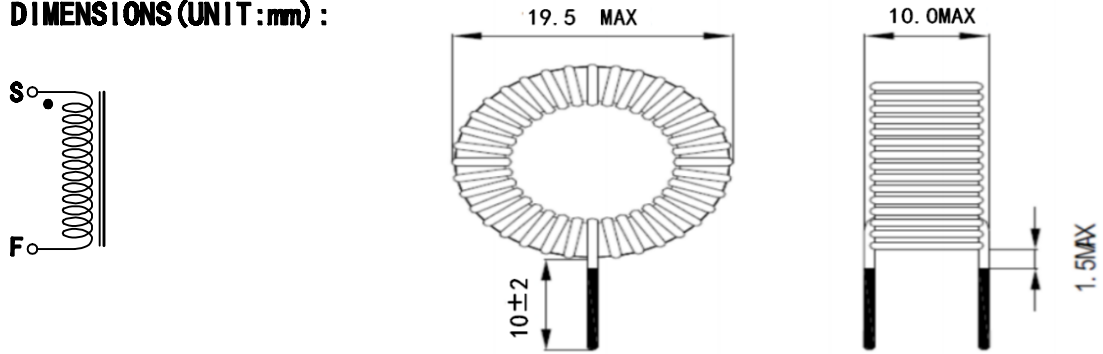


DT0330.0/1A/19.5x10

SPECIFICATION FOR APPROVAL

1、 DIMENSIONS (UNIT:mm) :



2、 ELECTRICAL CHARACTERISTICS:

L(S-F) : 330.0uH ± 10%	RATED CURRENT: 1A MAX
DCR: 210mΩ MAX	
	MEASURING INSTRUMENT: TH2810B LCR1KHz/1V

3、 MATERIAL LIST:

WIRE: N1 (S-F) : 2UEW φ 0.45mm x 75.0Ts ;
--