

LED AR111 G53 10.0W-88W D 3000K 12D 700lm

- G53 Socket
- 12 AC/DCV
- 50,000 hours Lifetime
- Dimmable
- 89% Energy Saving
- Luminous Flux: 700 lm
- Equivalent to 88W incandescent bulb
- CRI \geq 90
- 5 Years Warranty

Product Number 52341

General Data

Lamp Socket	G53
Design	AR111

Electric Data

Wattage (W)	10.0
Wattage Equivalent (W)	88
Voltage (V)	12V AC/DC
Dimmable	yes
Power Factor	0.90
Operating Frequency (Hz)	50/60

Geometric Data

Length (mm)	58
Diameter (mm)	111
Weight (g)	90

Photometric Data

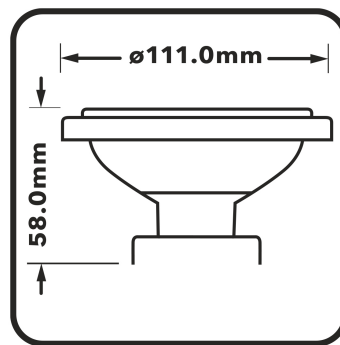
Luminous Flux (lm)	700
CRI	90
CCT (K)	3000
Luminous Intensity (cd)	5700
Beam Angle (°)	12
Luminous Efficacy (lm/W)	72
Lifetime (hrs)	50,000
Switching Cycle	100,000
Operating Temperature	-20°C to 40°C



Product image



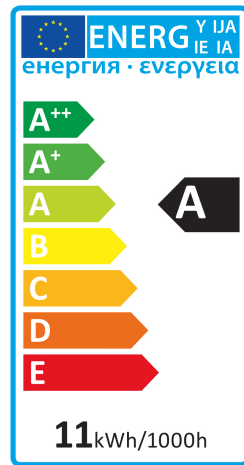
Technical drawing



Application image



Energy Rating

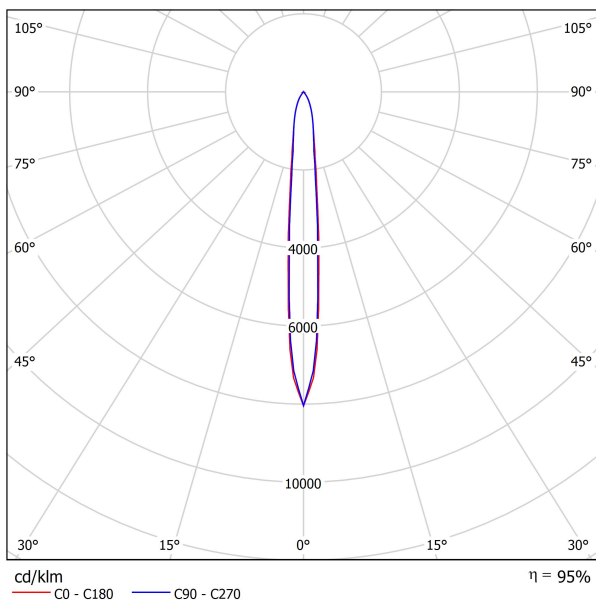


Technical Packaging Details

Barcode	0023942523413
EAN 128	(02)00023942523413(37)12(91)814
EAN 14	50023942523418
Pack Dimensions(HxWxL)	68 x 125 x 125mm (mm)
Pack Weight	150g (g)
MOQ	1
Carton Dimensions (HxWxL)	225 x 275 x 270mm (mm)
Cartons/Pallet	32
Layers/Pallet	4
Units/Pallet	384



Photometric Diagrams



Distance [m]	Cone Diameter [m]	Illuminance [lx]
0.5	0.09	E(0°) 23359
	0.10	E(C90) 5.2° 11534
		E(C0) 5.6° 11602
1.0	0.18	E(0°) 5840
	0.20	E(C90) 5.2° 2883
		E(C0) 5.6° 2900
1.5	0.27	E(0°) 2595
	0.29	E(C90) 5.2° 1282
		E(C0) 5.6° 1289
2.0	0.36	E(0°) 1460
	0.39	E(C90) 5.2° 721
		E(C0) 5.6° 725
2.5	0.46	E(0°) 934
	0.49	E(C90) 5.2° 461
		E(C0) 5.6° 464
3.0	0.55	E(0°) 649
	0.59	E(C90) 5.2° 320
		E(C0) 5.6° 322

Distance [m] Cone Diameter [m] Illuminance [lx]

— C0 - C180 (Half-value Angle: 11.2°)
 — C90 - C270 (Half-value Angle: 10.4°)