

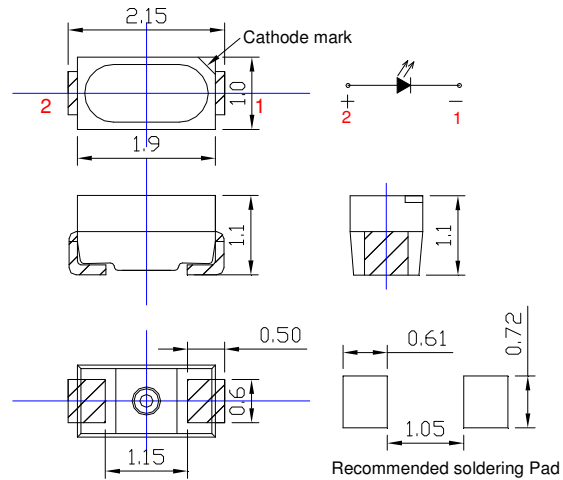
**■Features**

- Top view white LED (2.1 x 1.0 x 1.1mm)
- Super high brightness of surface mount LED
- Lead frame package with individual 2 pins
- Compatible to IR reflow soldering.

**■Applications**

- General lighting
- Decoration lighting
- Indicator

**■Outline Dimension**



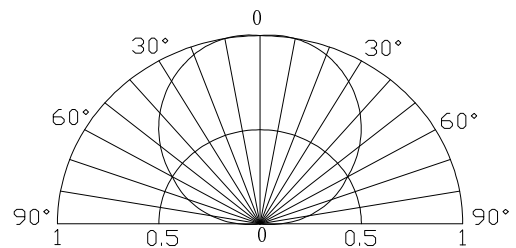
**■Absolute Maximum Rating**

(Ta=25°C)

Item	Symbol	Value	Unit
DC Forward Current	I <sub>F</sub>	30	mA
Pulse Forward Current*	I <sub>FP</sub>	100	mA
Reverse Voltage	V <sub>R</sub>	5	V
Power Dissipation	P <sub>D</sub>	102	mW
Operating Temperature	Topr	-40 ~ +85	°C
Storage Temperature	Tstg	-40~ +100	°C
Lead Soldering Temperature	Tsol	260°C/10sec	-

\*Pulse width Max 0.1ms, Duty ratio max 1/10

**■Directivity**



**■Electrical -Optical Characteristics**

(Ta=25°C)

Part Number	Color	V <sub>F</sub> (V)			I <sub>R</sub> (μA)	I <sub>v</sub> (mcd)			WD(nm)/CCT(K)			2θ1/2(deg)	CRI
		Min.	Typ.	Max.	Max.	Min.	Typ.	Max.	Min.	Typ.	Max.	Typ.	Min.
		I <sub>F</sub> =30mA			V <sub>R</sub> =5V	I <sub>F</sub> =30mA							
OSW42110C1A	White	2.8	3.0	3.4	10	2500	2800	-	5500K	-	6500K	120	90
OSM52110C1A	Warm White	2.8	3.0	3.4	10	2500	2800	-	2800K	-	3200K	120	90

\*1 Tolerance of measurements of color temperature is ±10%

\*2 Tolerance of measurements of luminous intensity is ±15%

\*3 Tolerance of measurements of forward voltage is ±0.1V