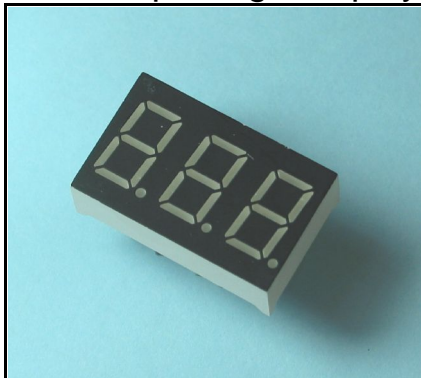
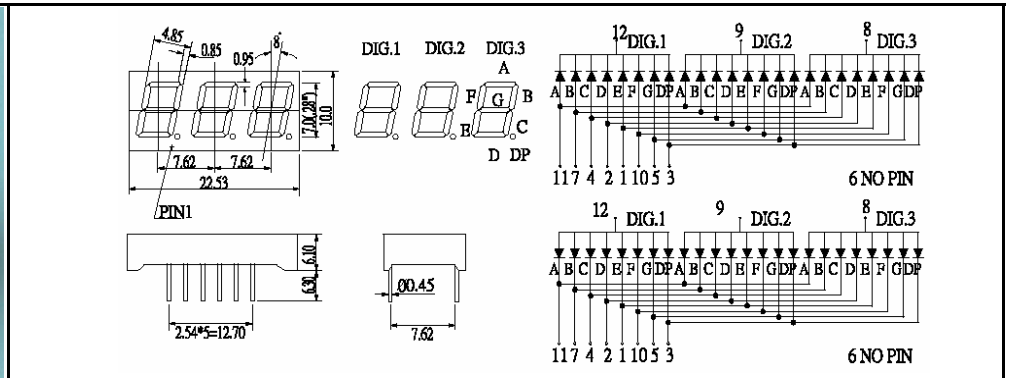


# YETDA TRIPLE DIGIT DISPLAY

Part Number	Chip			Face Color	Segment Color	VF (V)		Iv (mcd)		C.C. Or C.A.
	Material	Emitter Color	$\lambda_D$ (nm)			at IF=20mA		at IF=20mA		
						Typ.	Max.	Min.	Typ.	

## 0.28" Triple Digit Display

UNIT:mm/inch

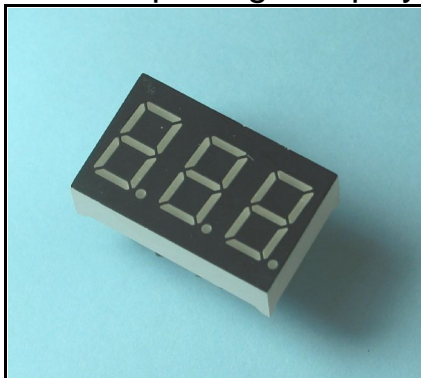
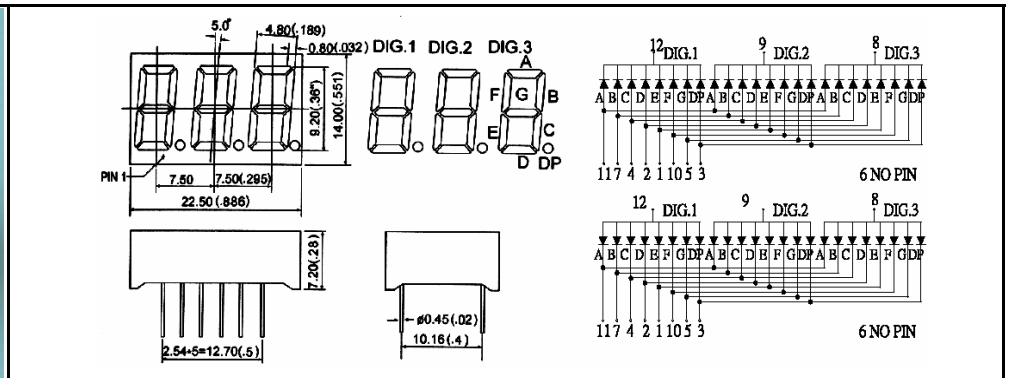
Mechanical drawing details for 0.28" Triple Digit Display:

- Overall length: 22.53 mm
- Digit width: 7.62 mm
- Digit height: 4.85 mm
- Pin pitch: 2.54 mm (12.70 mm total)
- Pin height: 6.30 mm
- Pin diameter:  $\phi 0.45$  mm
- Segment labels: DIG.1, DIG.2, DIG.3 with segments A, B, C, D, DP, E, F, G.
- Pinout: 11 7 4 2 1 10 5 3 (left) and 6 NO PIN (right).

T-2831ASK11	AlGaAs/GaAs	Red	660	Black	White	1.8	2.2	4	12	CC
T-2831AE11	GaAsP/GaP	Orange	622			2.1	2.6	6	10	
T-2831AGU11	GaP	Yellow Green	573			2.2	2.6	6	9	
T-2831AY11	GaAsP/GaP	Yellow	590			2.1	2.6	6	12	
T-2831AB11	InGaN	Blue	470			3.2	3.8	35	45	
T-2831APG11	InGaN	Pure Green	525			3.2	3.8	150	180	
T-2832ASK10	AlGaAs/GaAs	Red	660	Black	Clear	1.8	2.2	6	18	CA
T-2832AE10	GaAsP/GaP	Orange	622			2.1	2.6	9	15	
T-2832AGU10	GaP	Yellow Green	573			2.2	2.6	9	14	
T-2832AYF10	AlGaInP	Yellow	590			2.0	2.4	30	45	
T-2832AB10	InGaN	Blue	470			3.2	3.8	50	65	
T-2832AGF10	AlGaInP	Yellow Green	573			2.0	2.4	38	45	

## 0.36" Triple Digit Display

UNIT:mm/inch

Mechanical drawing details for 0.36" Triple Digit Display:

- Overall length: 22.50 mm (886)
- Digit width: 7.50 mm (295)
- Digit height: 5.0 mm (189)
- Pin pitch: 2.54 mm (12.70 mm total)
- Pin height: 7.20 mm (283)
- Pin diameter:  $\phi 0.45$  mm (0.02)
- Pin diameter: 10.18 mm (4)
- Segment labels: DIG.1, DIG.2, DIG.3 with segments A, B, C, D, DP, E, F, G.
- Pinout: 11 7 4 2 1 10 5 3 (left) and 6 NO PIN (right).

T-3631ASK11	AlGaAs/GaAs	Red	660	Black	White	1.8	2.2	4	12	CC
T-3631AE11	GaAsP/GaP	Orange	622			2.1	2.6	6	10	
T-3631AGU11	GaP	Yellow Green	573			2.2	2.6	6	9	
T-3631AY11	GaAsP/GaP	Yellow	590			2.1	2.6	6	12	
T-3631AW11	InGaN	White	X:0.29 Y:0.30			3.2	3.8	60	75	
T-3631APG11	InGaN	Pure Green	525			3.2	3.8	150	180	
T-3632AUF21	AlGaInP	Red	625	Gray	White	2.0	2.4	50	60	CA
T-3632AE21	GaAsP/GaP	Orange	622			2.1	2.6	6	10	
T-3632AGF21	AlGaInP	Yellow Green	573			2.0	2.4	39	46	
T-3632AYF21	AlGaInP	Yellow	590			2.0	2.4	20	30	
T-3632AB21	InGaN	Blue	470			3.2	3.8	35	45	
T-3632AW21	InGaN	White	X:0.29 Y:0.30			3.2	3.8	60	75	