

REV.	DESCRIPTION	DRAWN	CHECKED	APPROVED
A	NEW RELEASE	LJC 01/17/09'	~	

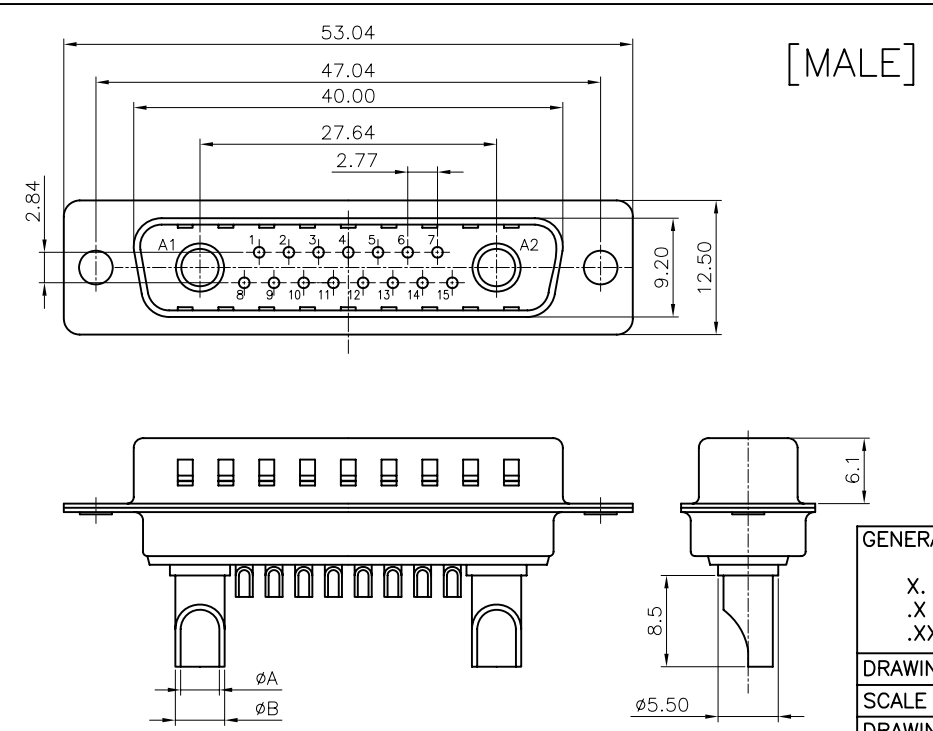
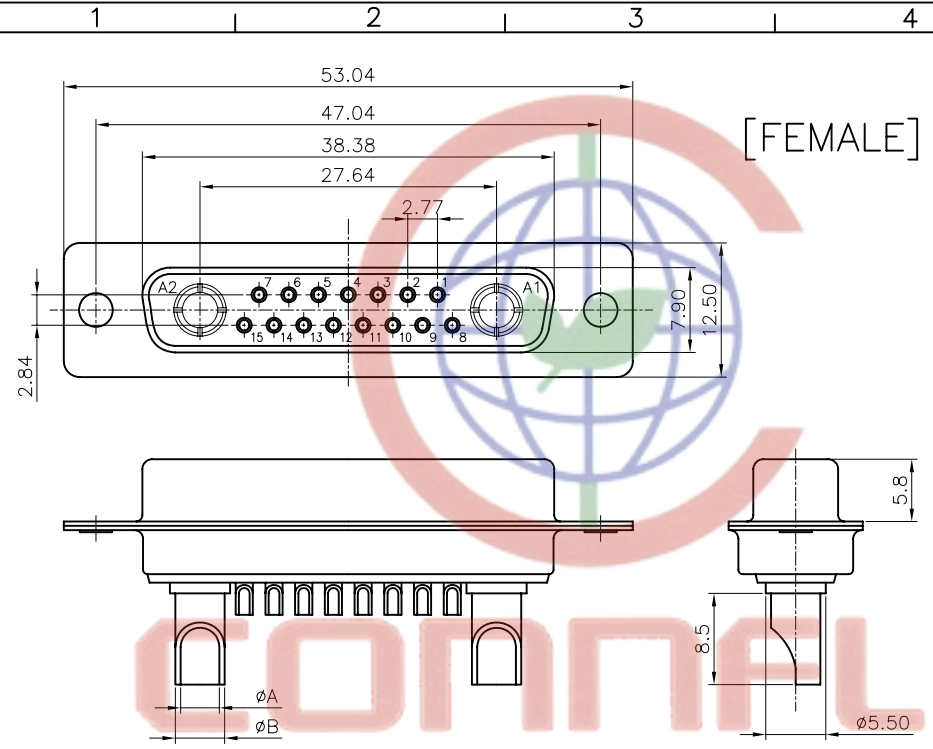
NOTES:

- ELECTRICAL CHARACTERISTICS:
  - CONTACT RESISTANCE: 20mΩ Max. INITIAL.
  - DIELECTRIC WITHSTANDING VOLTAGE: 500V AC(rms)FOR 1 MINUTE.
  - INSULATION RESISTANCE: 1000MΩ Min.
  - CURRENT RATING: 5A
  - VOLTAGE RATING: 300V
- ENVIRONMENT CHARACTERISTICS:
  - TEMPERATURE RANGE: -45° C ~ +110° C.
- MECHANICAL CHARACTERISTICS:
  - DURABILITY: 500 CYCLES.
  - CONTACT RETENTION FORCE: 1Kgf MINIMUM.
- MATERIALS:
  - SHELL: SPCC.
  - CONTACT: COPPER ALLOY.
  - INSULATOR: THERMOPLASTIC UL 94V-0, GLASS FIBER FILLED.
- PART NUMBER CODE:

DS1033-02- X X X X X

- └── CURRENT RATING
  - 1: 10A
  - 2: 20A
  - 3: 30A
  - 4: 40A
- └── CONTACT PLATING
  - 8: FULL GOLD FLASH
  - C: FULL 3u: GOLD
- └── SHELL PLATING
  - N: FORNT SHELL NICKEL, BACK SHELL TIN
- └── HOUSING COLOR
  - B: BLACK
  - W: WHITE
  - L: BLUE
- └── CONNECTOR TYPE
  - M: MALE
  - F: FEMALE

TYPE	CURRENT RATING	φA	φB
1	10A	φ1.7	φ2.5
2	20A	φ2.7	φ3.6
3	30A	φ3.6	φ4.5
4	40A	φ4.6	φ5.5



GENERAL TOLERANCE	ANGLE TOLERANCE
X. ±0.60	X. ±5°
.X ±0.38	.X ±3°
.XX ±0.25	.XX ±2°

PROJECTION	TITLE
mm	MACHINE PIN D-SUB 15+2 SOLDER TYPE
SHEET SIZE	SERIES
A4	DS1033-02 SERIES

DRAWING TYPE	CUSTOMER
SCALE	1:1 SHEET 1 OF 1
DRAWING NO.	C-DS1033-02-XXXX-A

**晨翔电子有限公司**  
**CONNFLY CONNFLY ELECTRONIC CO. LTD**