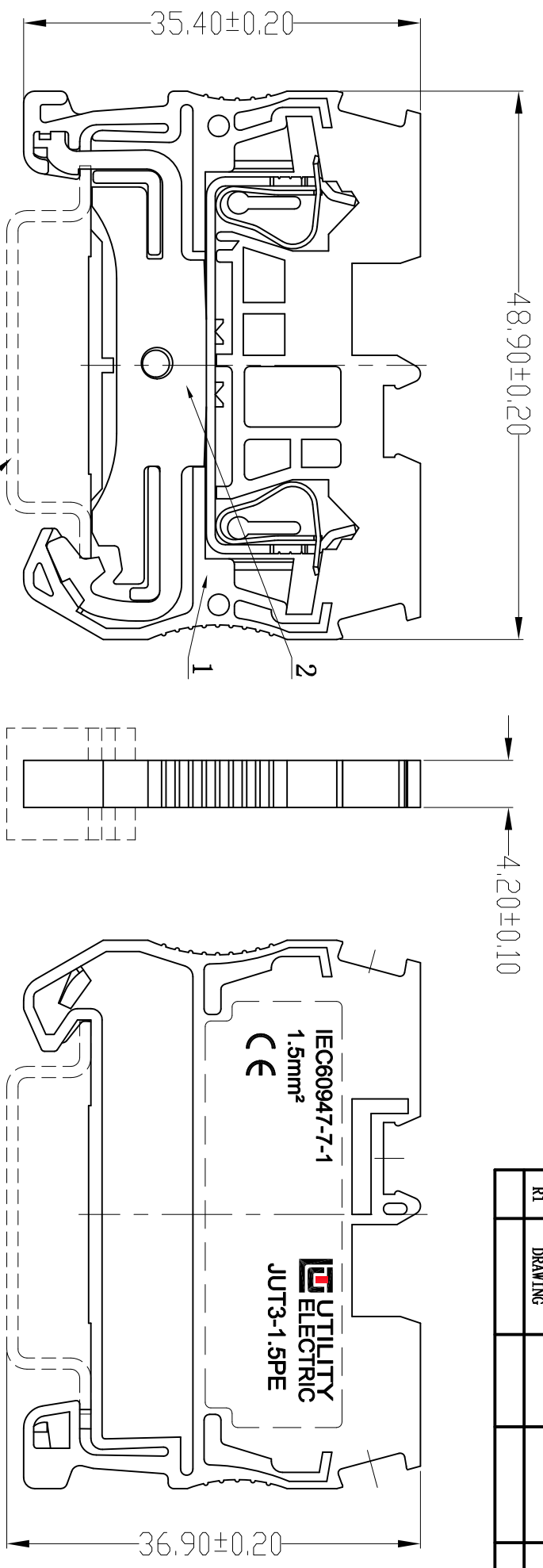


REV.	EQM.NO.	REUSE.NO.	REVISER	APPD.
版本	EQM. 编号	复用 次数	修订者	核准
R1	DRAWING			



Technical Data

Material:

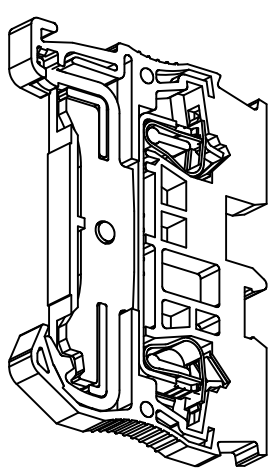
- Body: PA66 UL94 V-0.
- Conductor: Copper, Tin Plated.
- Spring: SUS 301.

Electrical:

- Current rating: 17.5 A;
- Contact resistance: 20 mΩ Max.

Mechanical:

- Connection Capacity: 24-16AWG.
- Stripping Length: 10mm.
- Operating temperature: -45° C to +105° C.



ZHEJIANG UTILITY ELECTRICAL CO., LTD
 浙江尤提乐电气有限公司

TYPE NO.	TITLE	DWG. NO.	SCALE	PAGE
JUT3-1.5PE	名称: Customer Drawing	C-DW0272-0	FULL	1/1
型号:	图号:	比例:	页码:	版本:
APPD.	DR.	CHKD.	UNIT:	REV.:
核准:	设计:	审核:	mm[inch]	R1
Jammy.ling				

>120	±0.50	ANGLE	±1°
>30~120	±0.30		
>6~30	±0.20		
0~6	±0.10		

MATL 材质: