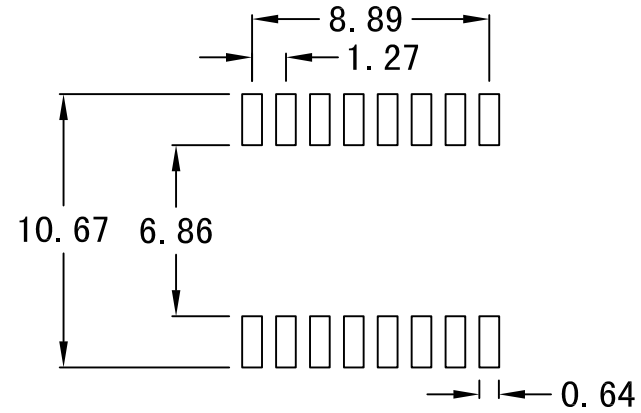
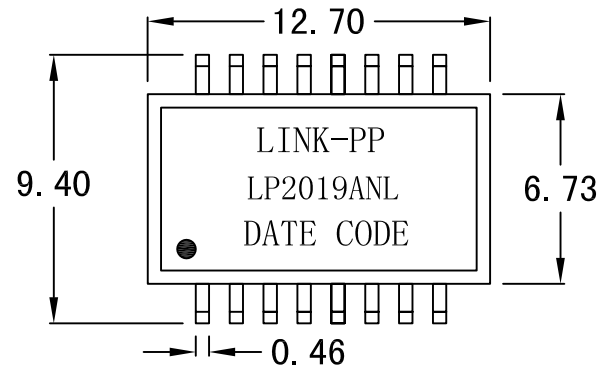
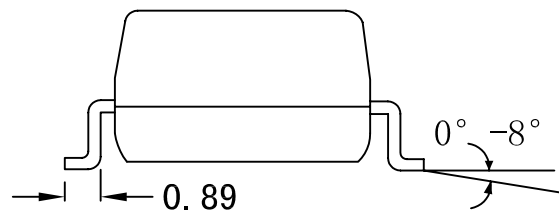
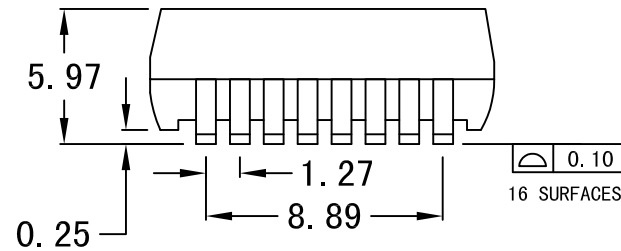


Mechanical:

REV.	ECN NO.	DESCRIPTION	DATE	APPD
A	REL		05/06/2009	



SUGGESTED PAD LAYOUT



NOTES:

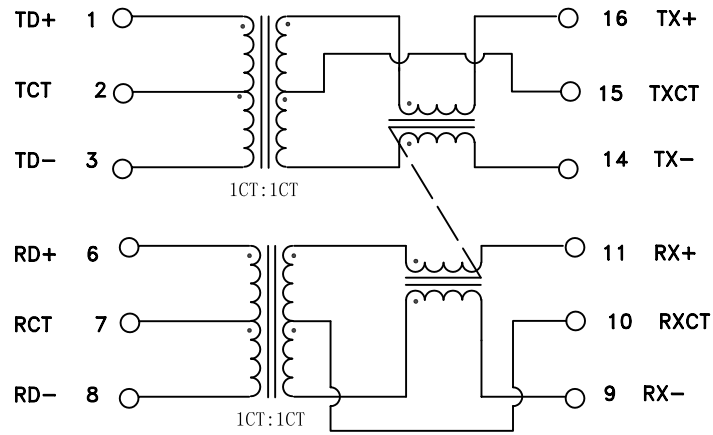
1. Designed to support application, such as SOHO (ADSL modems), LAN-on-Motherboard (LOM), hub and Switches.
2. With various Turns Ratios.
3. 350uH min OCL with 8mA bias .
4. RoHS "NL" peak solder rating $255 \pm 5^\circ\text{C}$.



X:X	± 0.20	APPD:	LINK-PP INT'L TECHNOLOGY CO., LIMITED	
X:XX	± 0.10	CHKD:	Title: 10/100Base-TX VoIP Magnetics Modules	
X:XXX	± 0.05	DR: TOM	PART NO.: LP2019ANL	
ANGLES	$\pm 1^\circ$	UNIT: mm		
	SCALE: 2/1	SHEET: 1/2	REV: A	DWG NO.: TRC09060503

Schematic:

REV.	ECN NO.	DESCRIPTION	DATE	APPD
A	REL		05/06/2009	



Electrical Specification @25°C

- Turns Ratio:
TX=1CT:1CT RX=1CT:1CT
- Insertion Loss:
0.1-100MHz:-1.0dB MAX
- Return Loss:
0.1-30MHz:-18dB MIN
30-60MHz: -13dB MIN
60-80MHz:-12dB MIN
- Crosstalk:
0.1-100MHz:-35dB MIN
- DCMR:
30MHz:-42dB MIN
60MHz:-36dB MIN
100MHz:-33dB MIN
- CMRR:
1-100MHz: -40dB TYP
- L: 1-3, 6-8:
350uH MIN 100KHz 0.1V 8mADC
- DCR: 1-3, 6-8: 0.9 OHM MAX
- LK:
1-3(Tie:16+14):0.5uH MAX 100KHz 0.1V
6-8(Tie:11+9): 0.5uH MAX 100KHz 0.1V
- Cw/w:
(1-3), (16-14):28pF MAX 100KHz 0.1V
(6-8), (11-9): 28pF MAX 100KHz 0.1V
- Isolation Voltage:1500V
- Operating Temperature:-40~+85°C



X:X	±0.20	APPD:	LINK-PP INT'L TECHNOLOGY CO., LIMITED	
X:XX	±0.10	CHKD:	Title: 10/100Base-TX VoIP Magnetics Modules	
X:XXX	±0.05	DR: TOM	PART NO.: LP2019ANL	
ANGLES	±1°	UNIT: mm	DWG NO.: TRC09060503	
	SCALE: 2/1	SHEET: 2/2	REV: A	