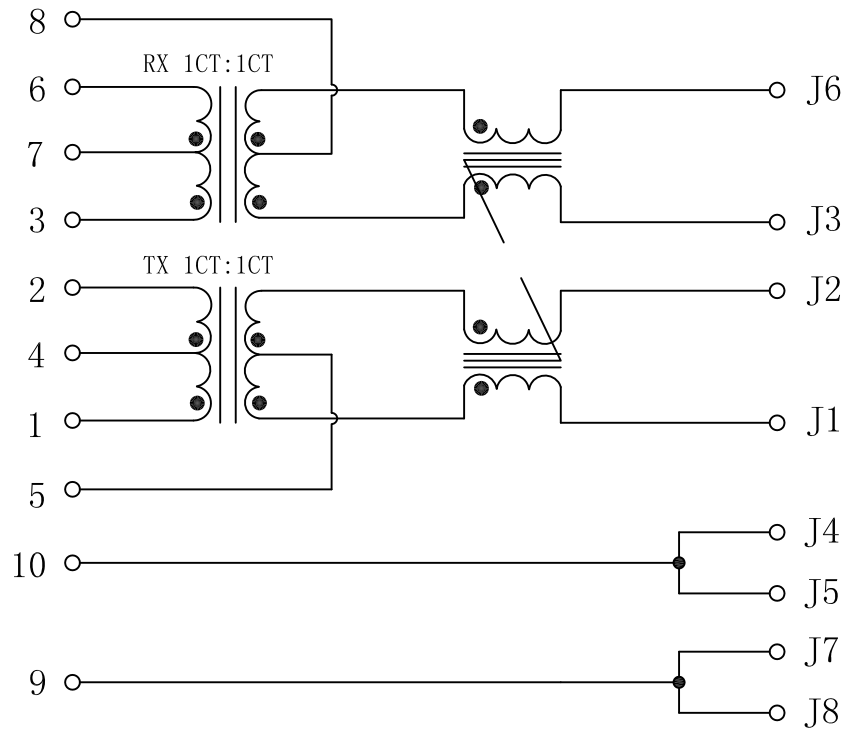


# Schematic:

REV.	ECN NO.	DESCRIPTION	DATE	APPD
A	REL		2013/10/16	

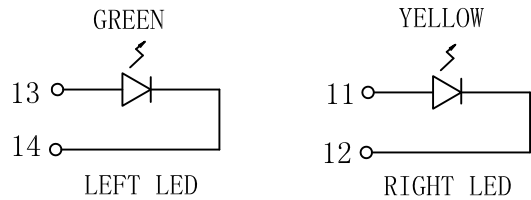
PC BOARD CONNECTIONS



RJ45 CONNECTOR

## Electrical Specifications @25°C

1. OCL: 350uH Min  
@100KHz, 100mV, 8mA
2. Turns Ratio ( $\pm 3\%$ ) :  
TX=1CT : 1CT                      RX=1CT : 1CT
3. Insertion Loss:  
1-100MHz:-1.2dB Max
4. Return Loss(dB Min):  
1-30MHz:-16                      40MHz:-14  
50MHz:-13                      60-80MHz:-12
5. Crosstalk(dB Min):  
30MHz:-43                      60MHz:-37  
100MHz:-33
6. Differential to Common Mode Rejection(dB Min):  
30MHz:-50                      60MHz:-43  
100MHz:-35
7. Hipot(Pri to Sec): 1500Vrms
8. Operating Temperature: 0°C~70°C.
9. PoE applications current capability: 600mA.



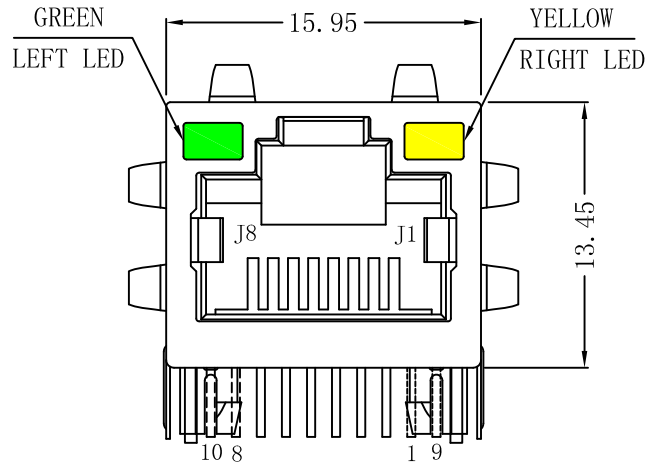
Emitting Color	$\lambda$ p(nm)	VF@IF=20mA	IR @VR=5V
GREEN	565	1.8~2.6V	10 $\mu$ A max
YELLOW	585	1.8~2.6V	10 $\mu$ A max



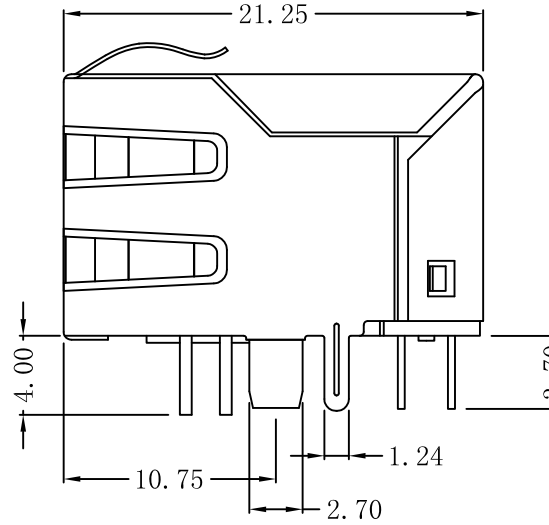
X:X	$\pm 0.30$	APPD:	LINK-PP INT'L TECHNOLOGY CO., LIMITED	
X:XX	$\pm 0.25$	CHKD:	TITLE: RJ45 Connector With 10/100 Base-TX Integrated Magnetics TAB UP For PoE+ Application	
X:XXX	$\pm 0.05$	DR: TOM		
ANGLES	$\pm 1^\circ$	UNIT: mm	PART NO. : LPJ16204AENL	
	SCALE: 2/1	SHEET: 1/2	REV: A	DWG NO: LP13101618

# Mechanical:

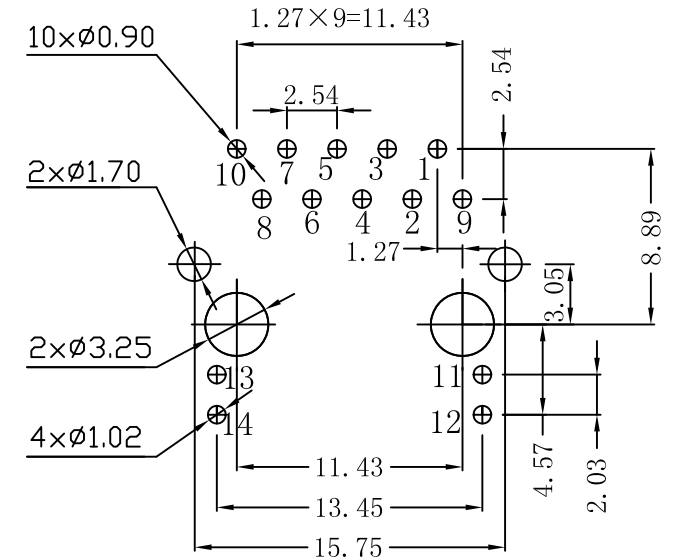
REV.	ECN NO.	DESCRIPTION	DATE	APPD
A	REL		2013/10/16	



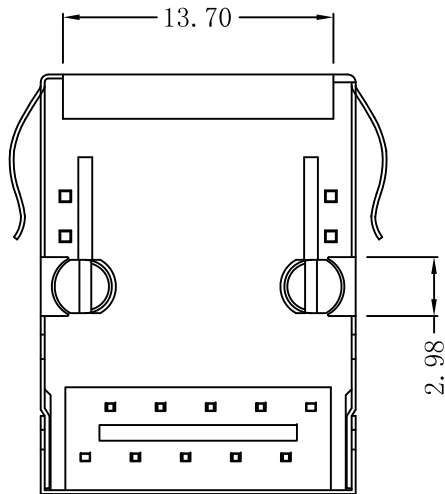
Front Side View



Left Side View



Suggested PCB Layout (Top View)



Bottom Side View



Top Side View

## NOTES:

1. Designed to support application, such as SOHO (ADSL modems), LAN-on-Motherboard (LOM), hub and Switches.
2. Meets IEEE 802.3at specification
3. Connector Materials:  
 Housing: Thermoplastic PBT+30%G.F UL94V-0  
 Contact: Phosphor Bronze C5210R-EH Thickness=0.35mm  
 Pins: Brass C2680R-H Thickness=0.35mm  
 Shield: SUS 201-1/2H Thickness=0.2mm  
 Contact plating: Gold 6 micro-inches min. In contact area.
4. Wave solder tip temperature: 265°C Max, 5 Sec Max.

X:X	±0.30	APPD:	LINK-PP INT'L TECHNOLOGY CO., LIMITED	
X:XX	±0.25	CHKD:	TITLE: RJ45 Connector With 10/100 Base-TX Integrated Magnetics TAB UP For PoE+ Application	
X:XXX	±0.05	DR: TOM	PART NO.: LPJ16204AENL	
ANGLES	±1°	UNIT: mm		
	SCALE: 2/1	SHEET: 2/2	REV: A	DWG NO: LP13101618