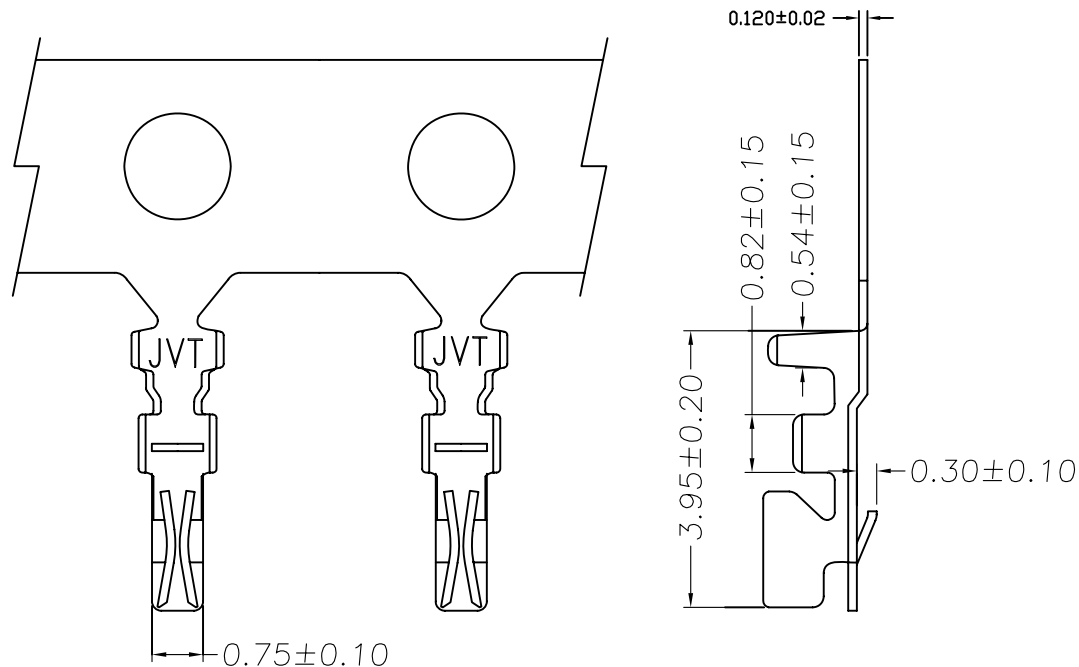


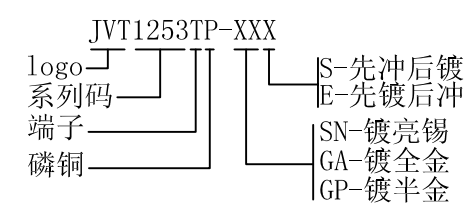
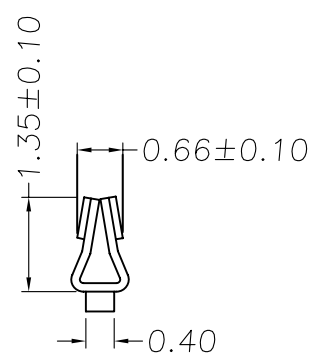
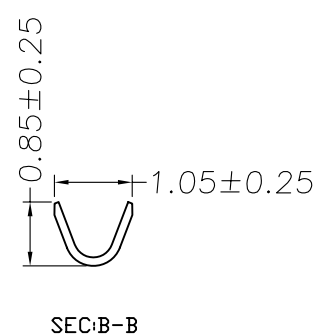
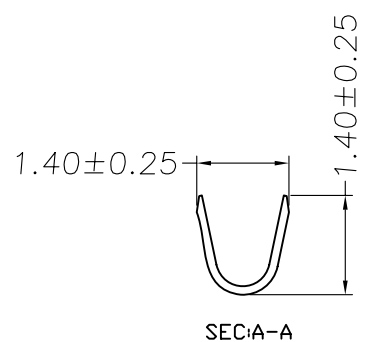
RoHS

REVISION DATE		
ITEM	DESCRIPTION	DATE
A	Issue	



- SPECIFICATIONS
- Voltage Rating: 50V AC, DC
 - Current Rating: 1A, AC/DC
 - Withstanding Voltage: 500V AC/minute
 - Insulation Resistance: 1000M Ω min
 - Temperature Range: -25° C ~ +85° C
 - Contact Resistance: 20mΩ max

- TERMINAL
- Applicable Wire: AWG#28-32
 - Wire od: 0.9mm MAX
 - Material: Phos. Bronze
 - Finish: Gold plated, Tin Plated
 - Q'ty: 15000 pcs/roll



投影 (PROJECT)		公差 (TOLERANCE)
单位 (UNIT)	mm	0 ±0.40
比例 (SCALE)	FIT	0.0 ±0.30
版本 (EDITION)	A	0.00 ±0.20
日期 (DATE)	2013 11 06	0.000 ±0.05

东莞市乔业电子有限公司
DONG GUAN CHYAO YEE (JVT) CONNECTORS CO., LTD.

绘图 (DRAWN)	TONY	品号 (PART NO)	JVT1253TP-XXX	页次 (PAGE)
审核 (CHECKED)	CHEN	图号 (DRAW NO)	031-1253-01	1/1
核准 (APPROVE)		品名 (NAME)	SH1.00mm TER	