

**机构特性:**

1. 塑壳材质: PBT黑色, UL94V-0;
2. 扁针材质: 磷青铜, 厚度0.35mm;
3. 扁针电镀: 接触区镀金(见料号表格), 镍底, 剥头电镀雾锡;
4. 可靠性: 最少750次插拔;
5. 插入/拔出力: 22N / 2.27kg Max;
6. 配合强度: 57.83N Min.

**环境特性:**

1. 储存温度: -10°C ~ +40°C  
相对湿度<80%
2. 工作温度: -40°C ~ +85°C

**02版变更说明:**

1. 增加易飞;
2. 默认公差变更.

**NOTES:**

**ELECTRICAL:**

1. VOLTAGE RATING : 125 VAC RMS.
2. CURRENT RATING : 1.5 AMP.
3. CONTACT RESISTANCE : 45 MILLIOHMS MAX.
4. INSULATION RESISTANCE : 1000 MEGOHMS MIN @ 500 VDC
5. DIELECTRIC STRENGTH : 1000 V AC OR 1500V DC RMS @ 0.5mA 50 Hz / 60 Hz 1 Minute

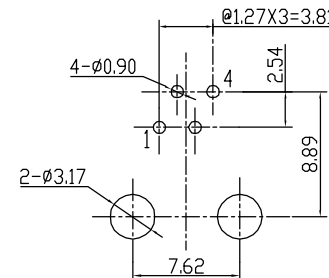
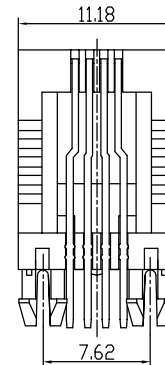
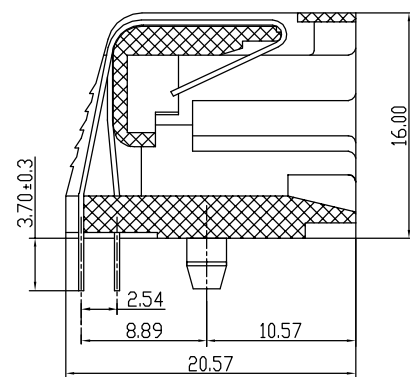
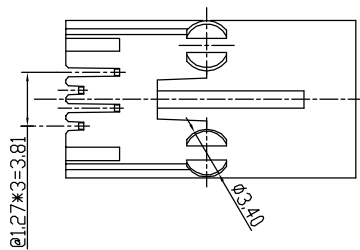
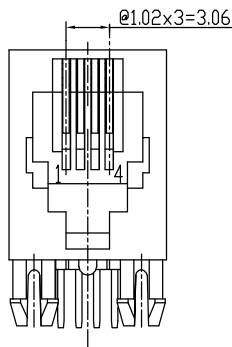
**MECHANICAL:**

1. HOUSING&INSERT& MATERIAL : PBT UL94V-0. COLOR BLACK
2. CONTACT MATERIAL : PHOSPHOR BRONZE T=0.35mm.
3. PLATING : 1: CONTACT AREA- SELECTIVE GOLD PLATING.  
2: TAILS PLATING TIN OVER NICKEL.
4. OPERATING LIFE : 750 CYCLES MIN.
5. MATING/UNMATING FORCE: : 22N / 2.27kg Max.
6. RETENTION STRENGTH: : 57.83N Min.

**电气特性:**

1. 额定电压: 125 VAC RMS
2. 额定电流: 1.5 AMP
3. 接触电阻: 45 mΩ MAX.
4. 绝缘电阻: 1000 MΩ MIN. @500 VDC
5. 耐压强度: 1000 V AC 或 1500V DC RMS @ 0.5mA 50 Hz 或 60 Hz 一分钟

REV. 版本	ECN NO. 变更说明	DATE 日期
01	ADD P/N	04.29.09'
02	SEE NOTE	10.26.09'
03	增加易飞	2012.8.21



PC BOARD LAYOUT  
THICKNESS=1.6mm

**ENVIRONMENTAL:**

1. STORAGE : -10°C TO +40°C RELATIVE HUMIDITY<80%.
  2. OPERATION : -40°C TO +85°C.
- MATES WITH MODULAR PLUG CONFORMING TO  
FCC PART 68, SUBPART F.  
ROHS PART NUMBER:

ROHS PART NUMBER	DESCRIPTION	CONTACT PLATING GOLD
△ B571N-4403-M005	RJ22 PORT 5721 4P4C ND EAR SPLIT PEG PCB JACK	3u"
△ B571N-4450-M005	RJ22 PORT 5721 4P4C ND EAR SPLIT PEG PCB JACK	50u"
△ B571N-44GF-M005	RJ22 PORT 5721 4P4C ND EAR SPLIT PEG PCB JACK	G/F
△ B571N-4406-M005	RJ22 PORT 5721 4P4C ND EAR SPLIT PEG PCB JACK	6u"

**5721插座 4P4C (无耳香菇脚)**

RoHS Compliant

CZT® 意华通讯接插件有限公司  
YIHUA COMMUNICATED CONNECTOR CO.,LTD.

**TOLERANCES 公差**

0 - 15	±0.15
15 - 30	±0.20
30 -	±0.25

ANGLES: ±1°

Material: 材质 SEE NOTE

Finish: 电镀 SEE NOTE

SHEET 1 OF 1  
第 页 共 页

Designed: 设计 陈林斌2012.8.21

Checked: 审核

Approved: 核准

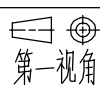
NAME: 名称 RJ22 1X1 5721 4P4C PCB JACK

DWG NO: 图号 E57QWY-1059-11

PART NO: 料号 SEE TABLE

REV. 版本

03



A4  
SIZE

SCALE 比例 1:1  
UNIT 单位 mm

CUSTOMER: 客户 N/A  
MODEL NO: 料号 N/A