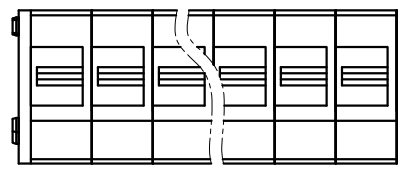
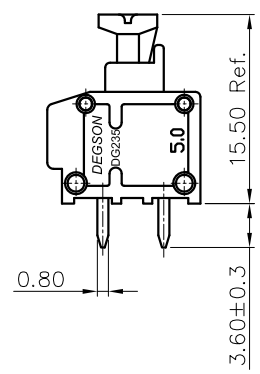
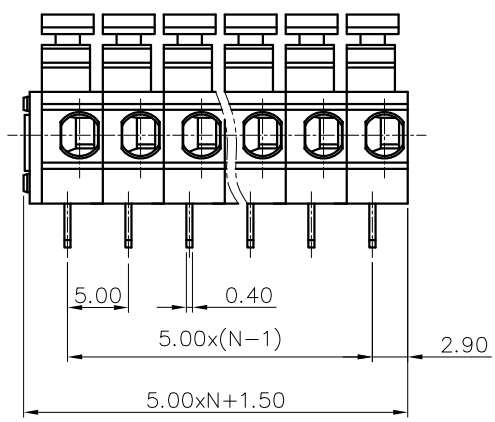
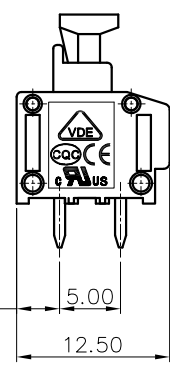


REVISION RECORD				
REV	ECN	DESCRIPTION	DRFT	DATE



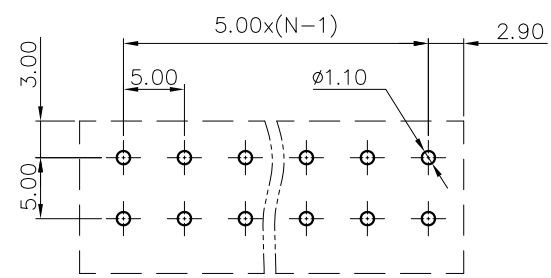
NOTES1:  
 UL Standard  
 1.Rated voltage/current : 300V / 5A  
 2.Wire range : 20~18AWG  
 IEC Standard  
 1.Rated voltage/current : 450V / 15A  
 2.Wire range : 0.2~1.5mm<sup>2</sup>(str)  
 0.2~2.5mm<sup>2</sup>(sol)



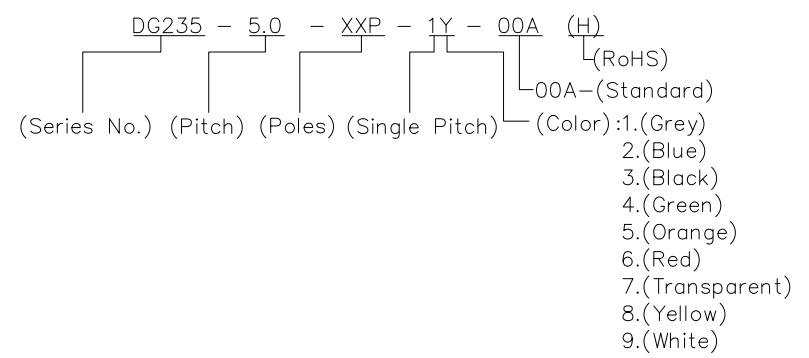
NOTES2:  
 1.Dimension shall be interpreted per ASME Y14.5-2009  
 2.Pitch : 5.00mm, Poles : N=01~XXP  
 3.Stripping length : 9~10mm  
 4.Withstanding voltage : AC2500V/1Min.  
 5.Operating temperature: -40°C~+105°C  
 6.Undimensioned tolerances:

Pitch range in mm		Nominal dimension range in mm						—	∩	∠
TO	Over	TO	Over	TO	Over	TO	Over	0.1/10		
6	6	10	10	30	30	60	100	<		
	TO		TO		TO		TO			
	10		24		60		150			
	±0.15	±0.20	±0.30	±0.30	±0.50	±0.70	±1.00	±1.30	±2°	

7.RoHS Compliance



PCB LAYOUT



DETACHED LISTS	PART NO.:	/			
	APPD:	/			
	CHKD:	/			
	DRFT:	/			
	 THIRD ANGLE PROJECTION		 DO NOT SCALE DRAWING		DRAWING NO.: / SHEET 1/1
NINGBO DEGSON ELECTRICAL CO., LTD DEGSON®		NAME: DG235-5.0-XXP-1Y-00A(H)		TITLE: CUSTOMER DRAWING REV / DO SCALE 1:1	